

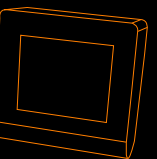
Anubis Kiosk

Datasheet

Welcome to oemKIOSKS



Touch...The Sky



Anubis

Small and stylish

Technical Specifications Anubis Kiosk

Dimensions: H550 x W500 x D200
Weight: aprox. 14 Kg.

The Anubis Model was developed specifically for indoor use, particularly for placing in walls.

This model is manufactured in stainless steel AISI304 or painted steel (RAL Colors) using steel plate of 1,5mm to 2,5mm which ensures the stability and rigidity of all structure.

The area where the computer is installed and possible peripherals (card readers, coin acceptors, etc.), is protected with access through a security lock and includes three power plugs.

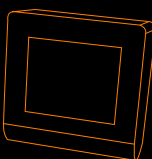
On top of display are two integrated speakers that fits smoothly in the all structure.

The Anubis Model is normally equipped with a 17" XGA touch display (19", 22" or other sizes are possible).

The Anubis Model can be equipped with a Atom CPU with a 160 GB hard drive, 1 Gb Ram Memory, a 128Mb graphic card and a 10/100 mb ethernet and Windows 7 Starter.

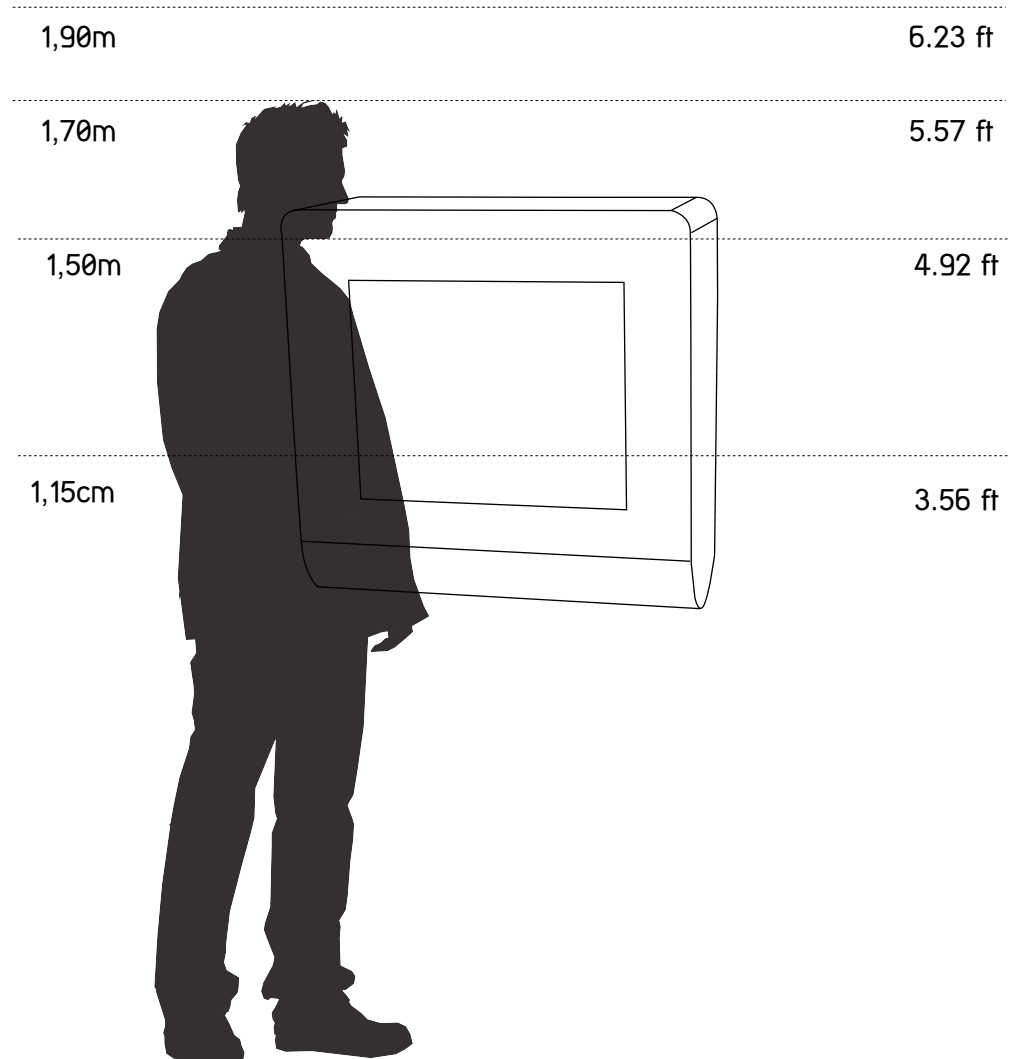


Anubis
Small and stylish



Anubis

Distance comparison and main features



Type

Indoor

Materials

Painted Steel

Stainless Steel

MDF

Options

Webcam

Ticket Printer

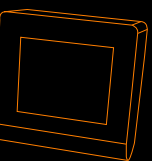
Card Reader

Bar Code Scanner

Ykiosk Software

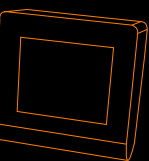
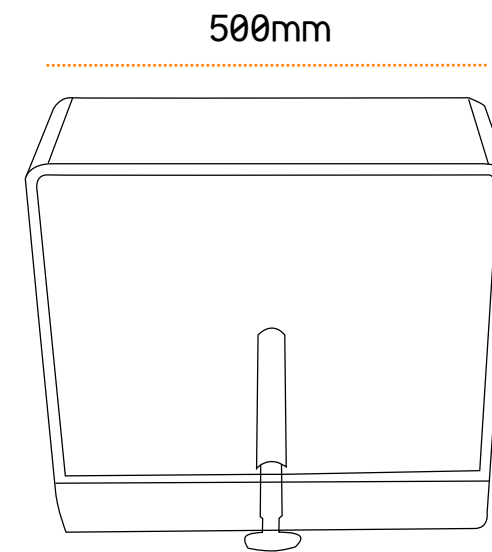
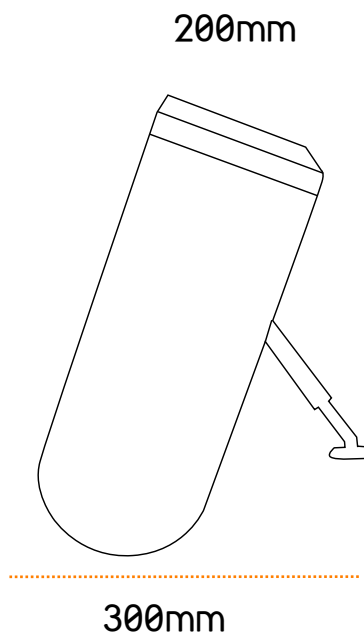
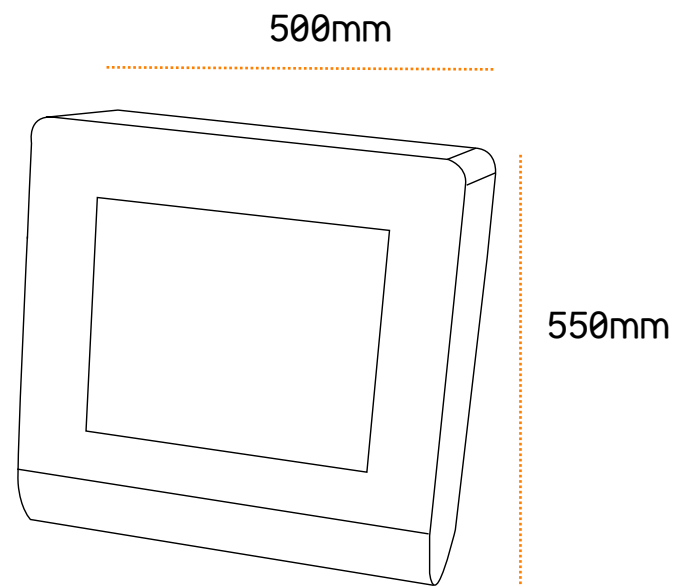
Distance comparison and main features

Anubis



Anubis

Kiosk measures



Anubis

Technical data

Dimensions:

- 17" Display (resolution: 1280 x 1024 Pixel)
- H500, W550, D200

Weight:

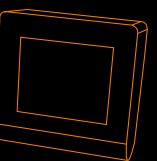
14 kg

Configuration:

- Small and Stylish
- Stainless steel AISI304 or painted steel (RAL Colors)
- Steel plate of 1,5mm to 2,5mm
- 17" XGA touchscreen display (resistive)
- Integrated speakers

Optional:

- 19" to 24" Displays
 - Atom or Dual Core PC computer
 - Microsoft Windows 7 Professional
 - Ykiosk software package
 - Touch screen (SAW - antivandalism)
 - Wireless networking - WLAN
 - Bluetooth functionality
 - Webcam
- Other components can be integrated changing kiosk dimensions: ticket printer, coin validator, bill validator, card readers, antivandalic keyboard, proximity sensor, etc.



oemKIOSKS | Your white label kiosk company

This document is provided only for information purposes. The presented information is subject to change without prior notice, given the constant evolution of content.
THE PARTTEAM GROUP is not responsible for any errors or omissions in this document, based on the information it contains, as a result of its publication.



oemKIOSKS | Partteam Group Portugal | Rua Nova da Nespereira, Pavilhão 10 | 4770 -287 Lagoa - Vila Nova de Famalicão
tel: +351 252 378 589 | +351 252 327 185 | fax: + 351 252 378 591 | Portugal
www.oemkiosks.com | oem@oemkiosks.com