

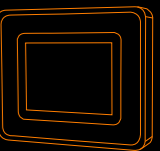
Autik Pad Kiosk

Datasheet

Welcome to oemKIOSKS

oem**KIOSKS**TM
Your white label kiosks company

Touch...The Sky



Autik Pad

Information Point or Queue Management Kiosk

The Autik Pad model was developed for indoor use and to be integrated into an IPAD or any other TABLET PC. Could be used as a point of information for the institution / company where it is installed, Internet point or with any application that can be developed for the iPad.

It can also be used to service institutions to the public or private institutions to attend the clients where, somehow, a management service / waiting queues is needed.

Through a glossy widescreen Multi-Touch 9.7-inch you can easily see the information you are looking for.

All iPad applications were designed to take advantage of Multi-Touch display and other advanced capabilities of IPAD.

The glass is scratch proof and even when exposed to a massive use, will not damage the multi-touch screen.

The Autik Pad can be equipped with an A4 Chip Apple 1 GHZ, high performance and low power Wi-Fi (802.11 a / b / g / n), Bluetooth 2.1 + EDR, etc..

All these models can be integrated with the IPAD or other tablets with different sizes of display (7", 10", etc.).

Technical Specifications Autik Pad Kiosk

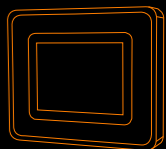
Dimensions: depends on the model
Weight: aprox. 10 Kg.



Horizontal Autik Pad



Autik Pad with ticket printer



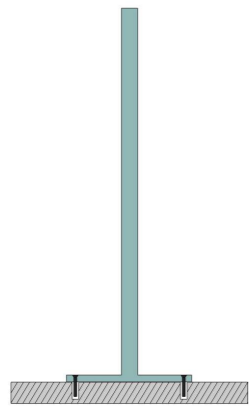
Autik Pad_{Floor}

Vertical support for Autick Pad

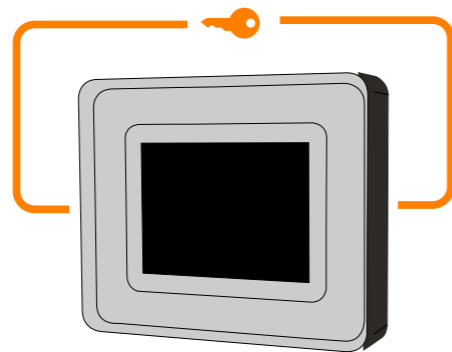
The Autik Floor Pad model has all the features of Autick Pad but is embedded in a floor stand. The great advantage of this model is that don't requires another module to serve as support (table, counter, wall). Can be quickly assembled and placed anywhere. It is ideal for tradeshows, showrooms of companies, lobbys of restaurants and hotels, among others. The kiosk and support can be purchased along with a box for easy transportation.

The base may have holes that allow the attachment to the ground preventing the kiosk to fall. This support can be incorporated in both the vertical or horizontal Autick pad models.

Thus, the iPad or Tablet PC embedded will have continuous power (essential since it will be placed in public areas) once the power cord had been hidden inside the tube and below ground.



FIXING GROUND SYSTEM



SECURITY LOCK

Technical Specifications Autik Pad Floor Kiosk

Dimensions: 1015mm

Weight: aprox. 5 Kg.

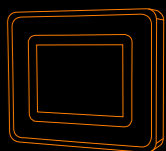


AUTIKPAD FL1

AUTIKPAD FL2

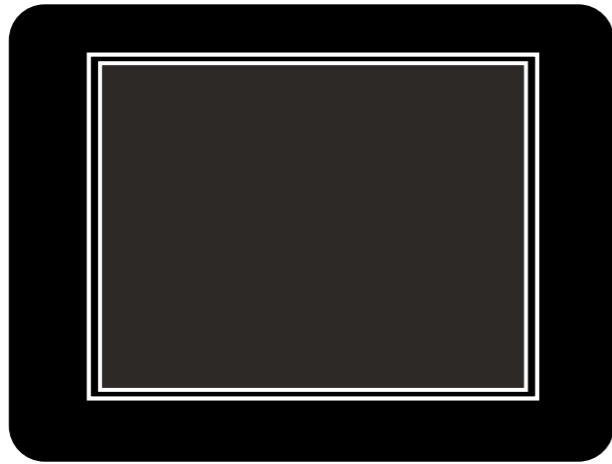
iPAD is a trademark of Apple Inc., registered in the U.S. and other countries

Autik Pad_{Floor}
Vertical support for Autick Pad

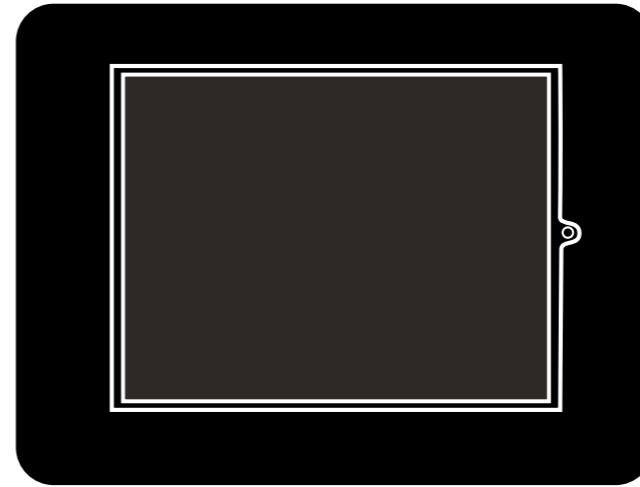


Autik Pad

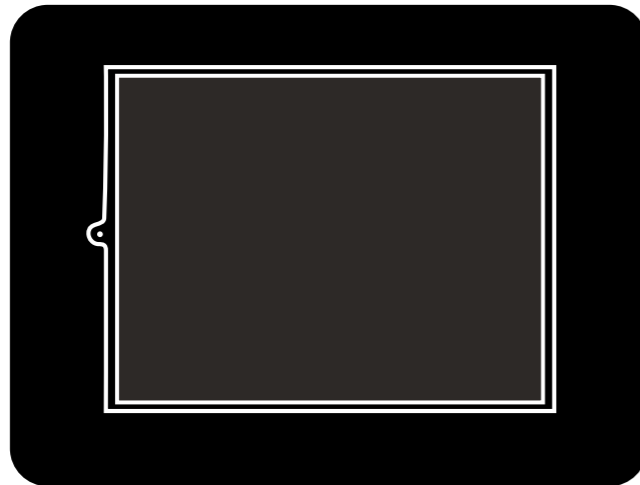
Faceplate Options



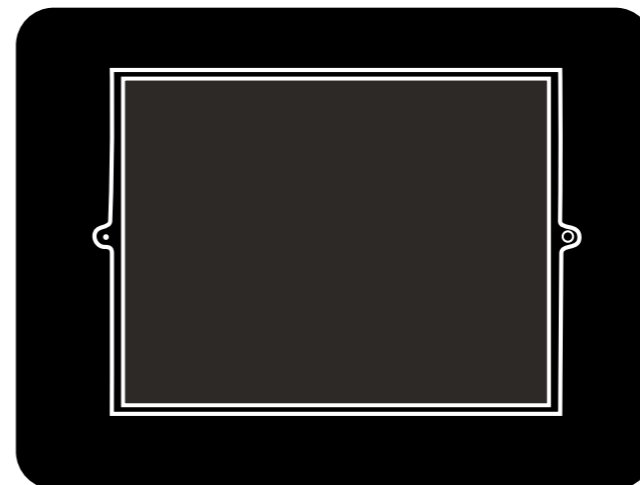
CLOSED HOME BUTTON WITH COVERED FRONT CAMERA



OPEN HOME BUTTON WITH COVERED FRONT CAMERA



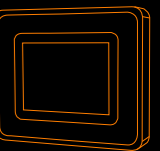
CLOSED HOME BUTTON WITH EXPOSED FRONT CAMERA



OPEN HOME BUTTON WITH EXPOSED FRONT CAMERA

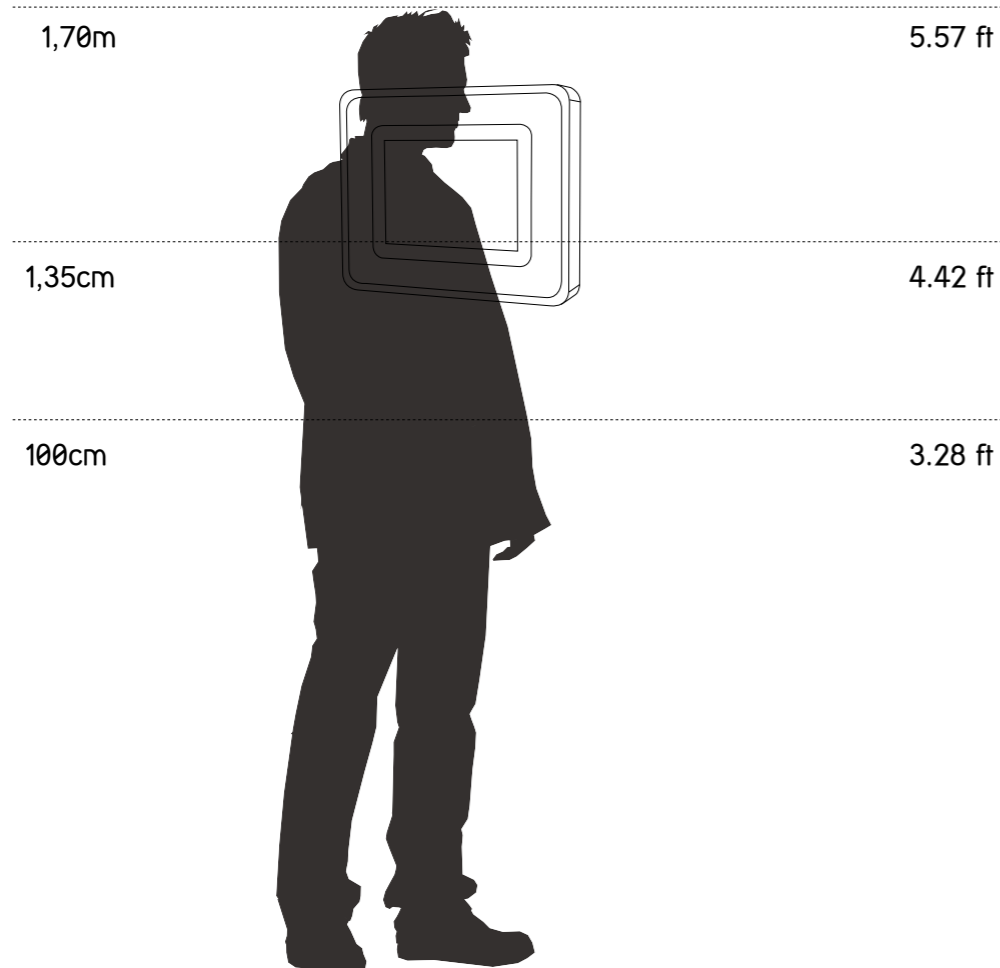
iPAD is a trademark of Apple Inc., registered in the U.S. and other countries

Autik Pad
Faceplate Options



Autik Pad

Distance comparison and main features



Type

Indoor

Materials

Painted Steel

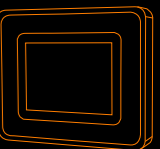
Stainless Steel

MDF

Options

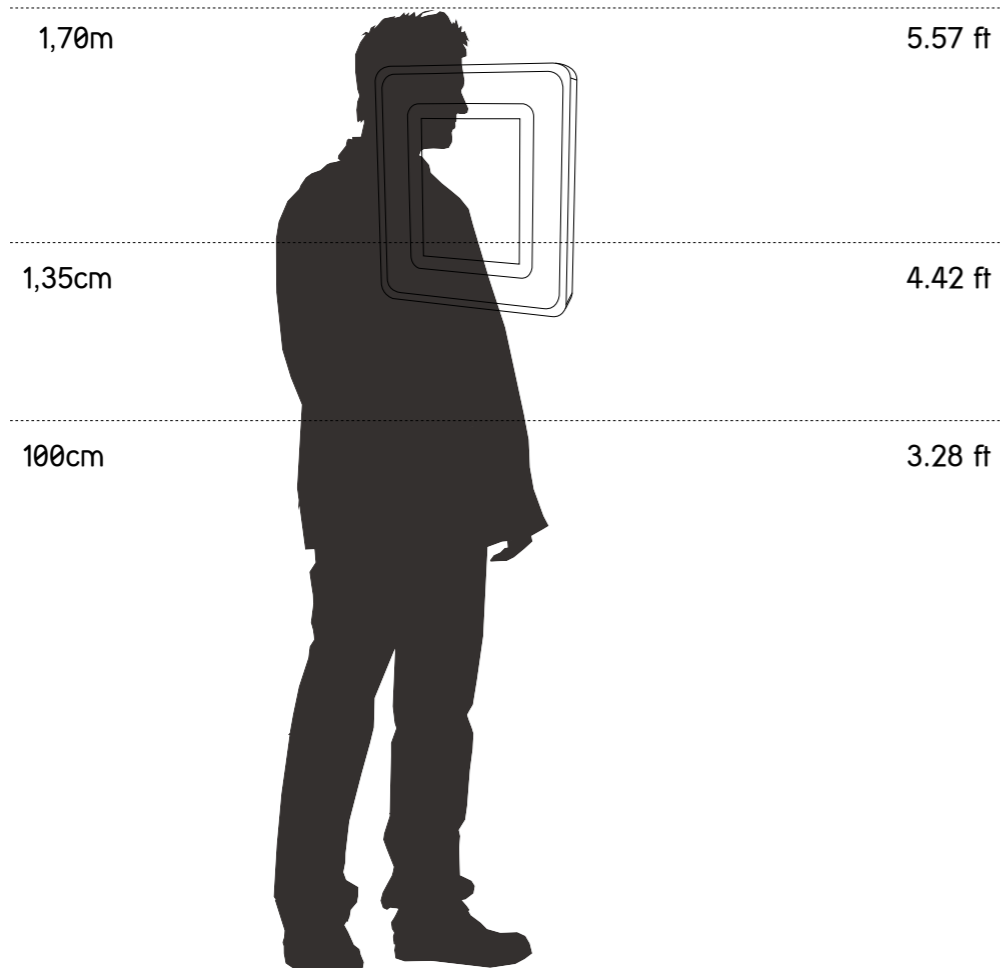
9,7" Touchscreen (other dimensions available)

Autik Pad
Distance comparison and main features



Autik Pad

Distance comparison and main features



Type

Indoor

Materials

Painted Steel

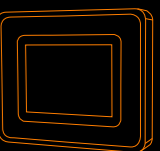
Stainless Steel

MDF

Options

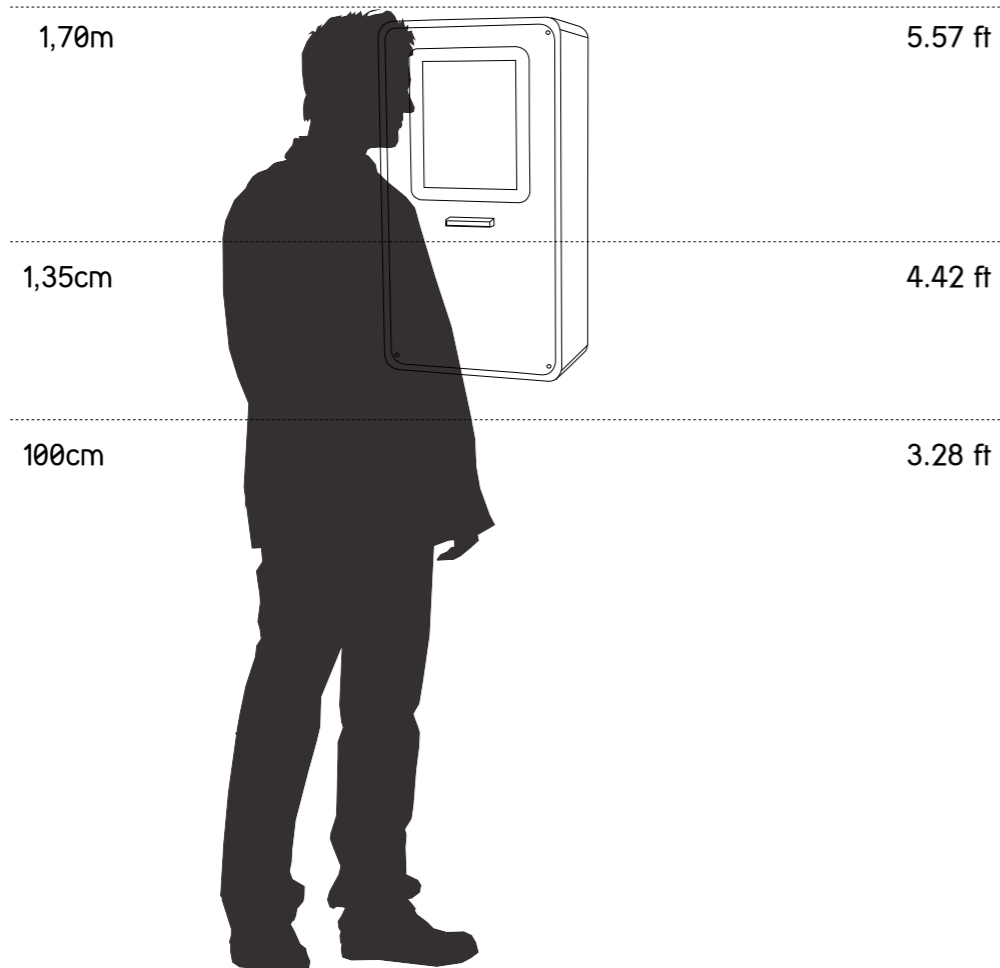
9,7" Touchscreen (other dimensions available)

Autik Pad
Distance comparison and main features



Autik Pad

Distance comparison and main features



Type

Indoor / Wall

Materials

Painted Steel

Stainless Steel

MDF

Options

Ticket Printer

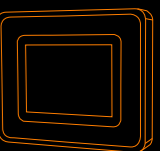
Card Reader

Bar Code Scanner

Chip Reader

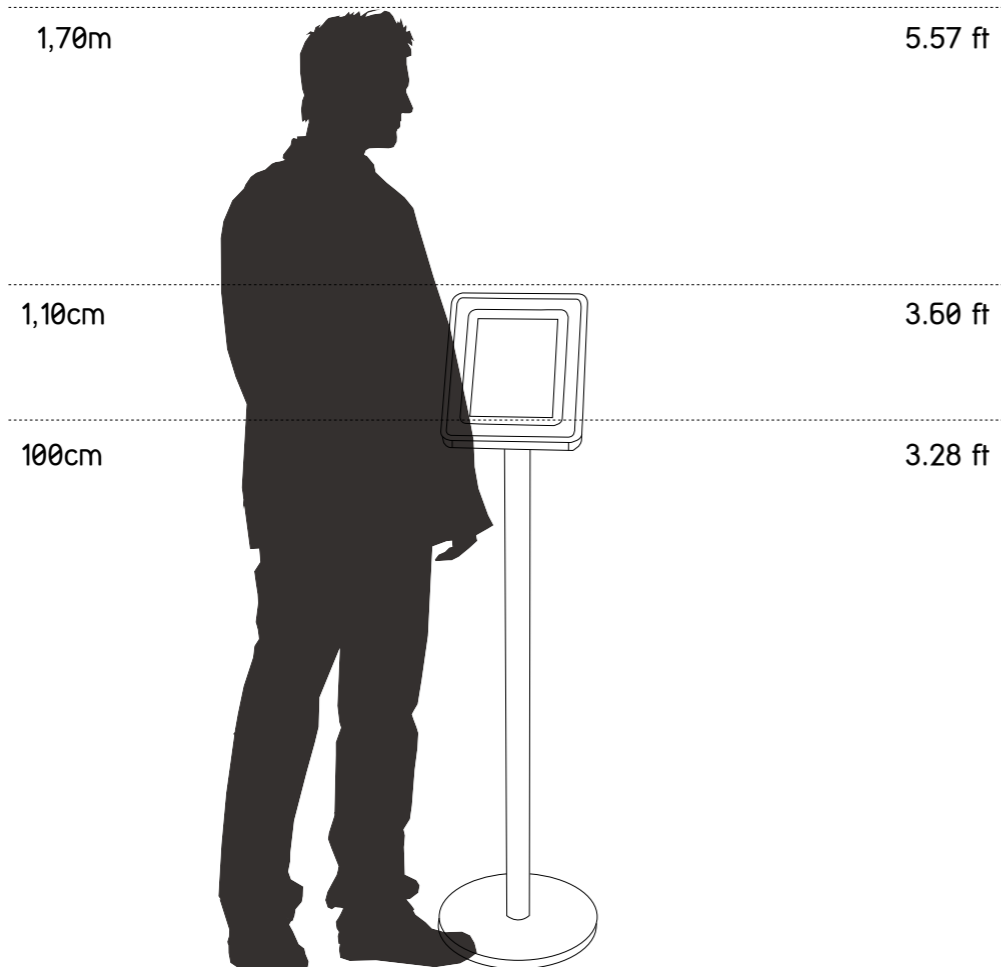
9,7" Touchscreen (other dimensions available)

Autik Pad
Distance comparison and main features



Autik Pad_{Floor}

Distance comparison and main features



Type

- Indoor / Floor

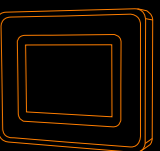
Materials

- Painted Steel
- Stainless Steel
- MDF

Options

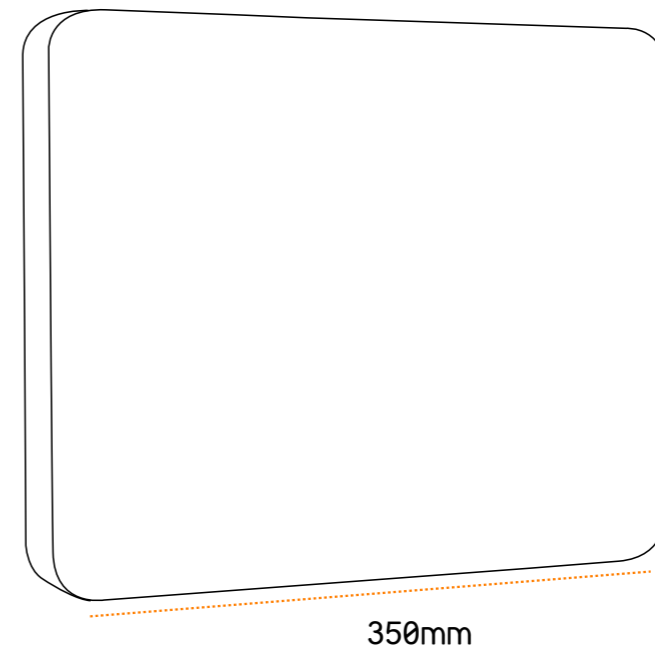
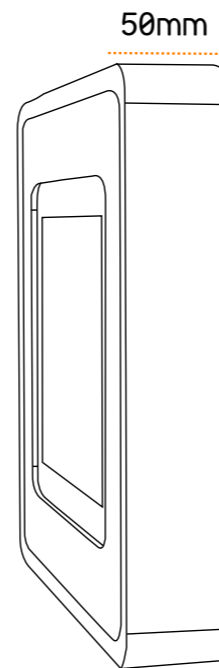
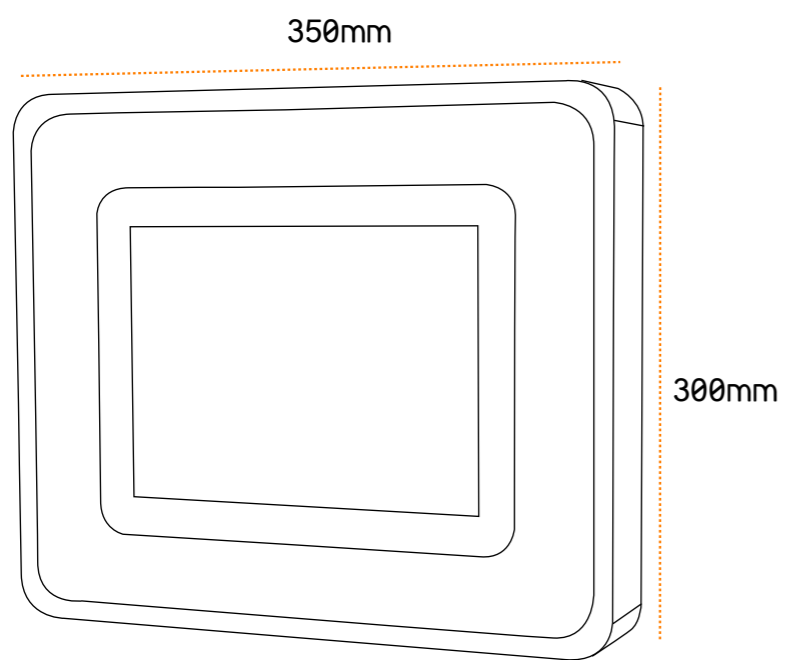
- Ticket Printer
- Card Reader
- Bar Code Scanner
- Chip Reader
- 9,7" Touchscreen (other dimensions available)

Autik Pad_{Floor}
Distance comparison and main features

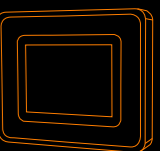


Autik Pad

Kiosk measures

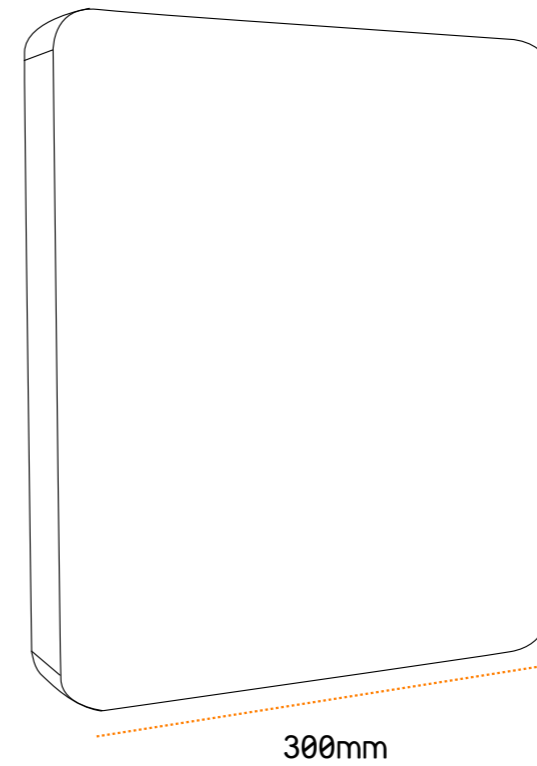
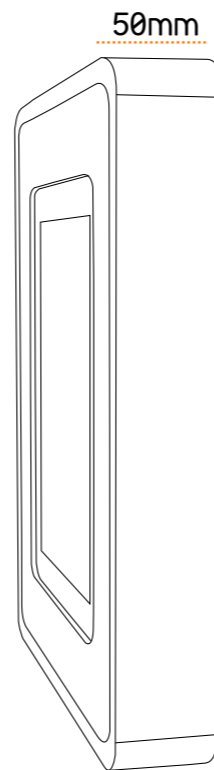
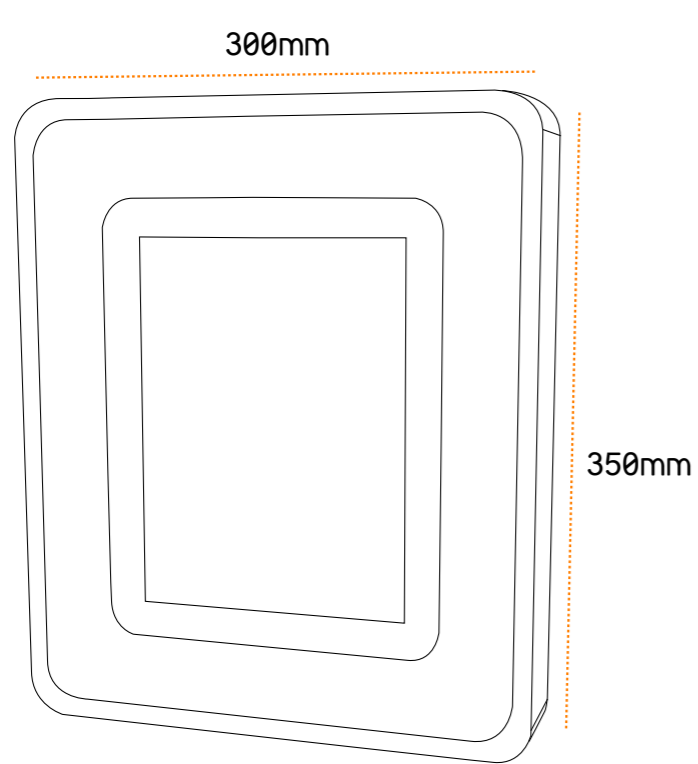


The measures can have minor changes depending on the used components

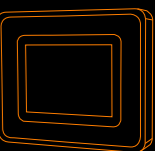


Autik Pad

Kiosk measures

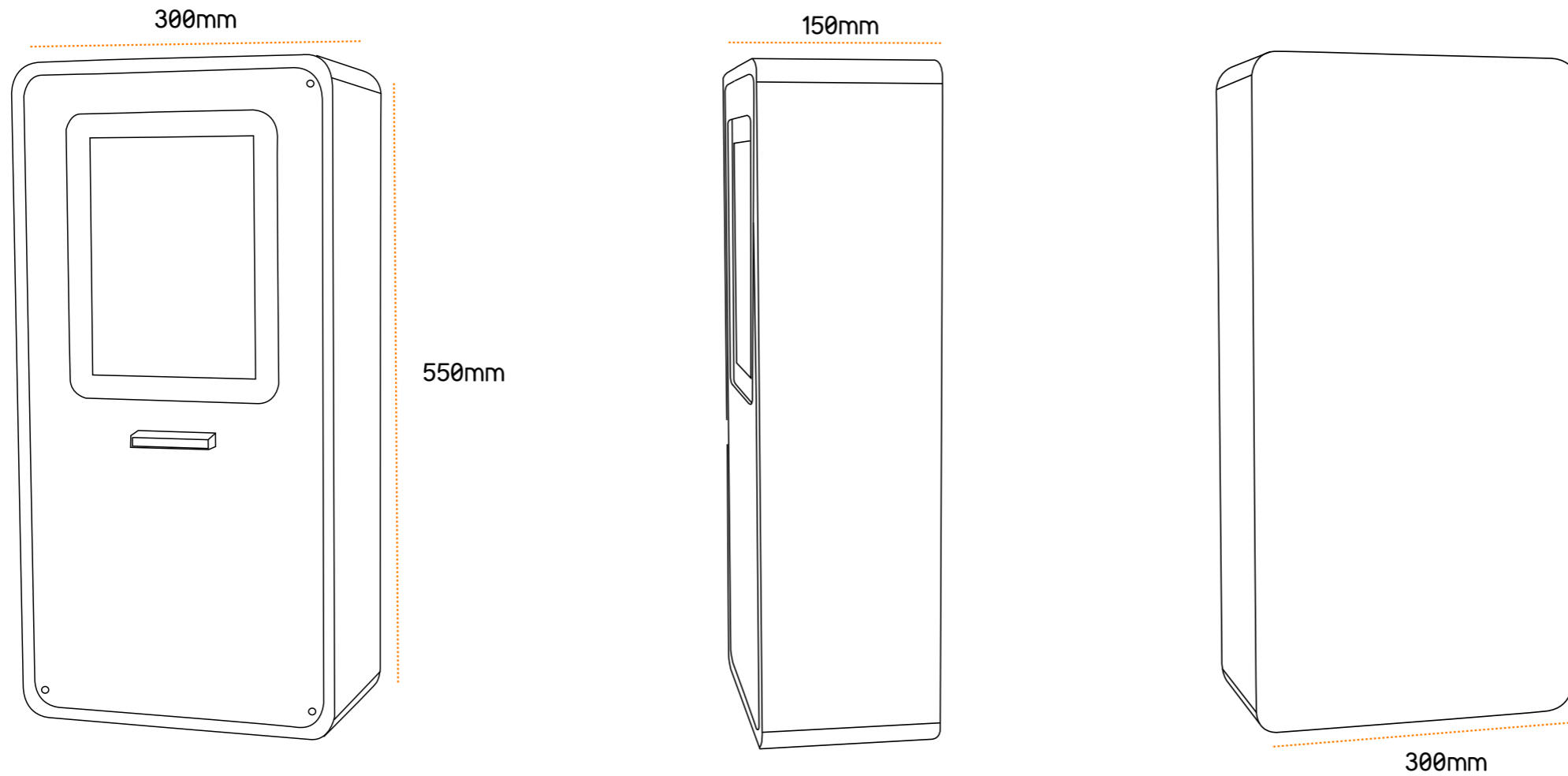


The measures can have minor changes depending on the used components

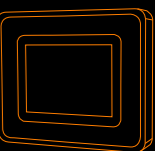


Autik Pad

Kiosk measures

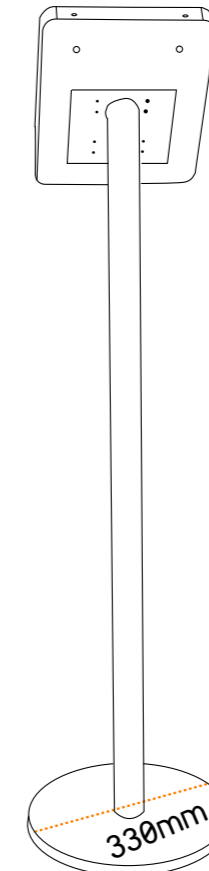
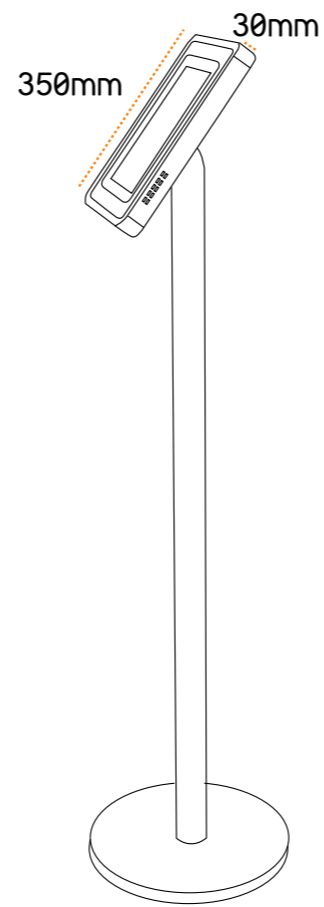
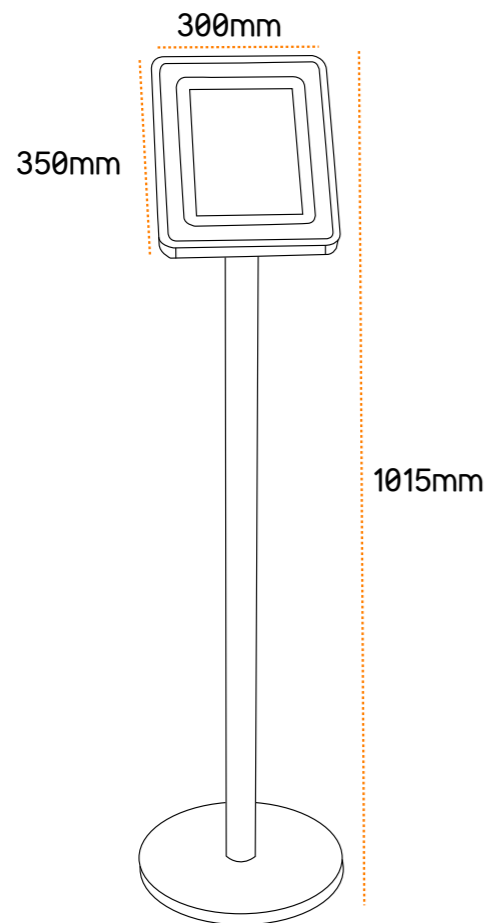


The measures can have minor changes depending on the used components

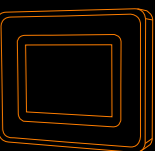


Autik Pad_{Floor}

Kiosk measures



The measures can have minor changes depending on the used components



Autik Pad

Technical data

Dimensions:

- H350 W300 D50mm (Autik Ipad Vertical)
- H300 W300 D50mm(Autik Ipad Horizontal)
- H550 W300 D150mm (Autik Ipad Ticket Printer)

Weight:

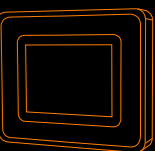
10 kg

Configuration:

- Information Point or Queue Management Kiosk
- Stainless steel AISI304
- Ticket Printer
- Integration with queue management software
- Glossy widescreen Multi-Touch wit 9.7-inch (diagonal), LED-backlit and IPS technology.
- Can be integrated with the IPAD or other tablets with different sizes of display (7", 10", etc.).

Computer (Autik Touch Model)

- IPAD
 - A4 Apple Chip 1 GHZ, high performance and low power consumption.
 - H.264 video up to 720p, 30 frames per second, Main Profile Level 3.1 with AAC-LC up to 160 Kbps.



oemKIOSKS | Your white label kiosk company

This document is provided only for information purposes. The presented information is subject to change without prior notice, given the constant evolution of content.
THE PARTTEAM GROUP is not responsible for any errors or omissions in this document, based on the information it contains, as a result of its publication.



oemKIOSKS | Partteam Group Portugal | Rua Nova da Nespereira, Pavilhão 10 | 4770 -287 Lagoa - Vila Nova de Famalicão
tel: +351 252 378 589 | +351 252 327 185 | fax: + 351 252 378 591 | Portugal
www.oemkiosks.com | oem@oemkiosks.com