

# Qticket

Specifications

touch...  
...the sky





Made in Europe

**Multimedia Kiosks and Digital Mupis are developed and produced in Portugal.**

The success of our company in the international market shows us that we have developed and produce excellent products and we should therefore be proud and confident in the future.

## Simplicity and Functionality

The Qticket model was developed for public or private institutions to attend the clients where, somehow, a management service / waiting queues is needed. It is exclusively for indoor uses.

Apart from buttons that allow each user to choose the service we wants, the kiosk prints a ticket information to indicate the number of entrance and estimated time of call (with a service / queues integration software).

The printer driver has TCP/IP.

The information paper with indications of the functions / services that each button is intended for, has easy access and replacement and can be easily modified.

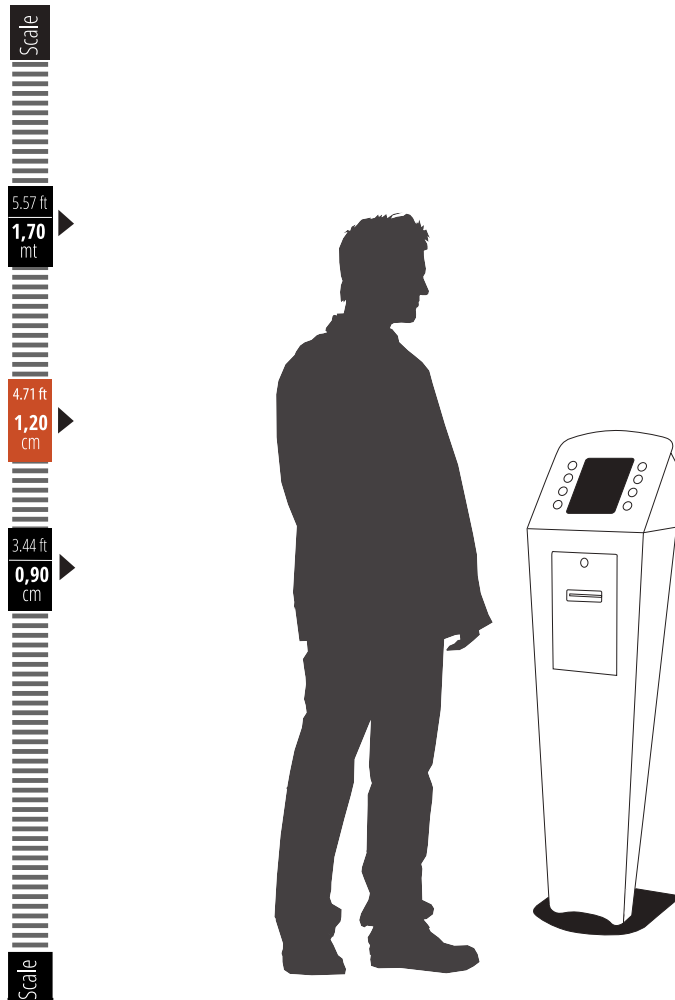
This model can be manufactured in stainless steel or painted steel (available in all RAL colors) using steel plate of 1,5mm to 2,5mm which ensures the stability and rigidity of the all structure.

Optionally Qticket can be integrated with a 7" or 10" display for use dynamic menus with the buttons.



# Qticket

Distance comparison and main features



## GENERAL CHARACTERISTICS

### Type



Indoor



Outdoor

### Materials



Painted Steel



Stainless

### Options



Ticket Printer



Card Reader



Bar Code Scanner



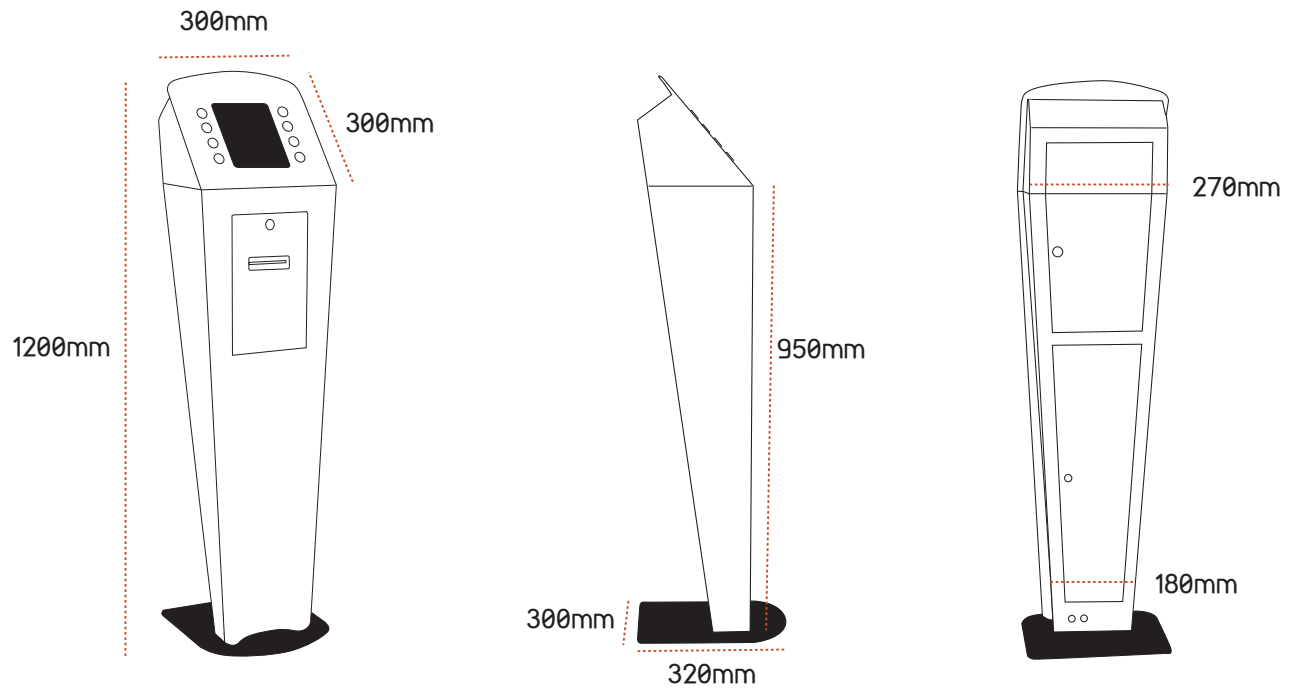
Chip Reader

► Dimensions and specifications shown are for graphical representation only and may not correspond to the reality equipment. The client must request technical drawing for final validation measures and specifications.

# Qticket

Kiosk measures

## TECHNICAL DRAWING

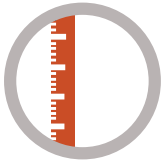


► Dimensions and specifications shown are for graphical representation only and may not correspond to the reality equipment.  
The client must request technical drawing for final validation measures and specifications.

# Qticket

Technical data

## CONFIGURATION



H 120 W 30 D 32 cm



Possibility of integrating 4-8 buttons



Weight 12 kg



Steel plate of 1,5mm to 2mm



Ticket Printer  
Printer Controller with TCP / IP



Stainless steel AISI304 or painted steel  
(RAL Colors)



Integration with software  
management service / queue waiting



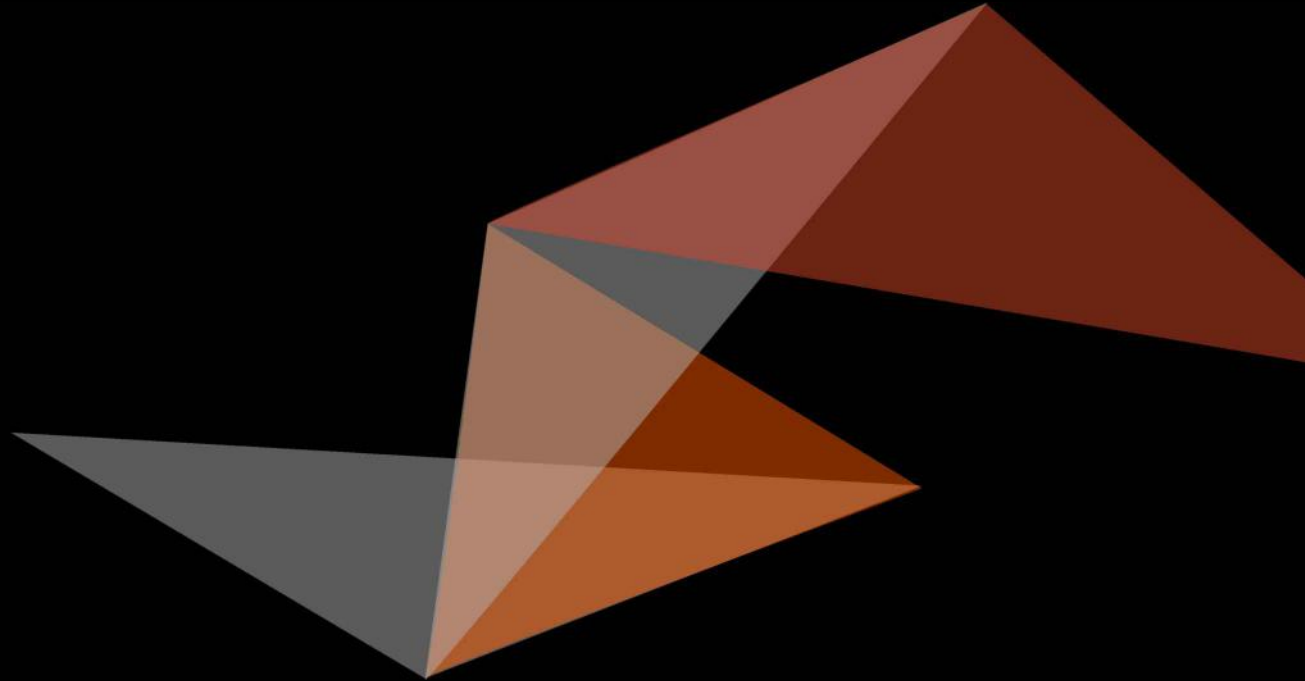
Paper with information from the  
buttons.



**Optional**  
7" or 10" Display  
(for images and dynamic menu)

# Multimedia **kiosks**

Touch... the sky



This document is provided only for information purposes. The presented information is subject to change without prior notice, given the constant evolution of content.  
THE PARTTEAM GROUP is not responsible for any errors or omissions in this document, based on the information it contains, as a result of its publication.



oemKIOSKS | Partteam Group Portugal | Rua Nova da Nespereira, Pavilhão 10 | 4770 -287 Lagoa - Vila Nova de Famalicão  
tel: +351 252 378 589 | +351 252 327 185 | fax: + 351 252 378 591 | Portugal  
[www.oemkiosks.com](http://www.oemkiosks.com) | [oem@oemkiosks.com](mailto:oem@oemkiosks.com)