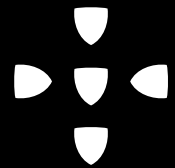


# Senses

Touch...the sky!





Made in Europe

**Multimedia Kiosks and Digital Mupis are developed and produced in Portugal.**

The success of our company in the international market shows us that we have developed and produce excellent products and we should therefore be proud and confident in the future.

---

## Multi touch Functionality

The Senses model was developed for indoors use (museum, shopping, restaurants, coffes, offices, etc.) and can be wall mounted or placed on a table.

This model can be manufactured in stainless steel or painted steel (available in all RAL colors) using steel plate of 1,5mm to 2,5mm which ensures the stability and rigidity of the all structure.

The SENSES convert any LCD Display or LED Display a touch ou multitouch display, enduring the latest interactive technologies available in the market.

Is it possible to convert a simple LCD or LED into a fantastic multitouch display with dimensions of 22" more than 100".

By installing specific software's, you can view photos, grow, shrink, move, etc.. It will be also possible to insert a USB flash drive and copy files so they can be immediatly viewed and with the possible interaction with them.



---

Senses can be equipped with computers with diferent "performances" (CPU) with hard drives from 100 to 320 GB, 4 Gb Ram Memory, 128mb graphics card expandable to 512, 10/100 mb ethernet, and Windows 7 or 8. This kiosk can also be equipped with computers with other OS like Linux, etc.

# Senses

Interactivity with dimension

## Dimensions of the kiosk

for 40" display



**H 620 W 1010**  
**D100mm**



**Weight 25 kg**



Everything has been planned down to the smallest detail. The "clean" and round lines (Round version) give you an elegance unprecedented in the field of multimedia kiosks wall.

The metal frame has also been designed to be as narrow as possible, in order to highlight only the display.

► The dimensions and specifications are given in graphical representation and may not correspond to the reality of the equipment. The dimensions shown are approximate and represent the equipment for a certain size display. The final dimension may vary depending on the display model and other components used. The client must request technical drawing for final validation (measures and specifications).



# Senses

Many Functionalities

## Senses Round ▶

The Senses can be equipped with displays of various sizes and with various types of touch or multitouch technology.

This equipment also has two versions, one being the version ROUND with rounded corners and gives an aspect similar to a giant tablet.

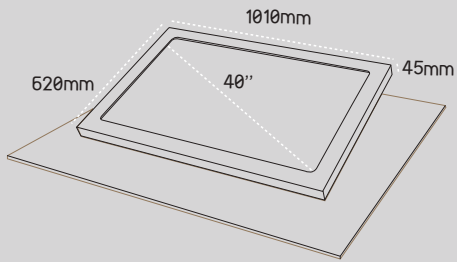


## ◀ Senses Square

The Senses was originally developed with straight edges, with the designation of Senses Square or only Senses, in order to convert any display an interactive system.

Senses is a versatile device that can be used in different projects. Using the VESA mounting is possible to be installed in portrait or landscape.

## Senses Table



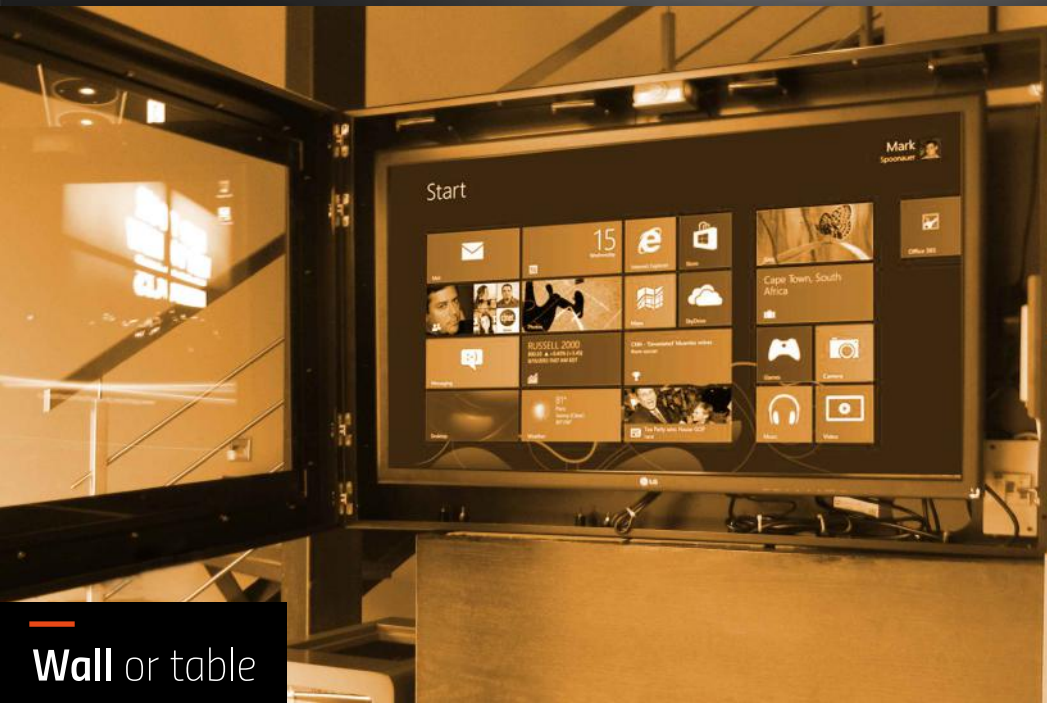
Oemkiosks has developed a system that convert any display in a multitouch system, ex: for meeting rooms or videoconference rooms..

With this interactive equipment, stations are networked so that there is an interaction between the participants, who will enjoy a powerful business tool that will help in developing new projects.

► The dimensions and specifications are given in graphical representation and may not correspond to the reality of the equipment. The dimensions shown are approximate and represent the equipment for acertain size display. The final dimension may vary depending display model and other components used. The client must request technical drawing for final validation (measures and specifications).

# Senses

Many Functionalities



Wall or table



Floor stand



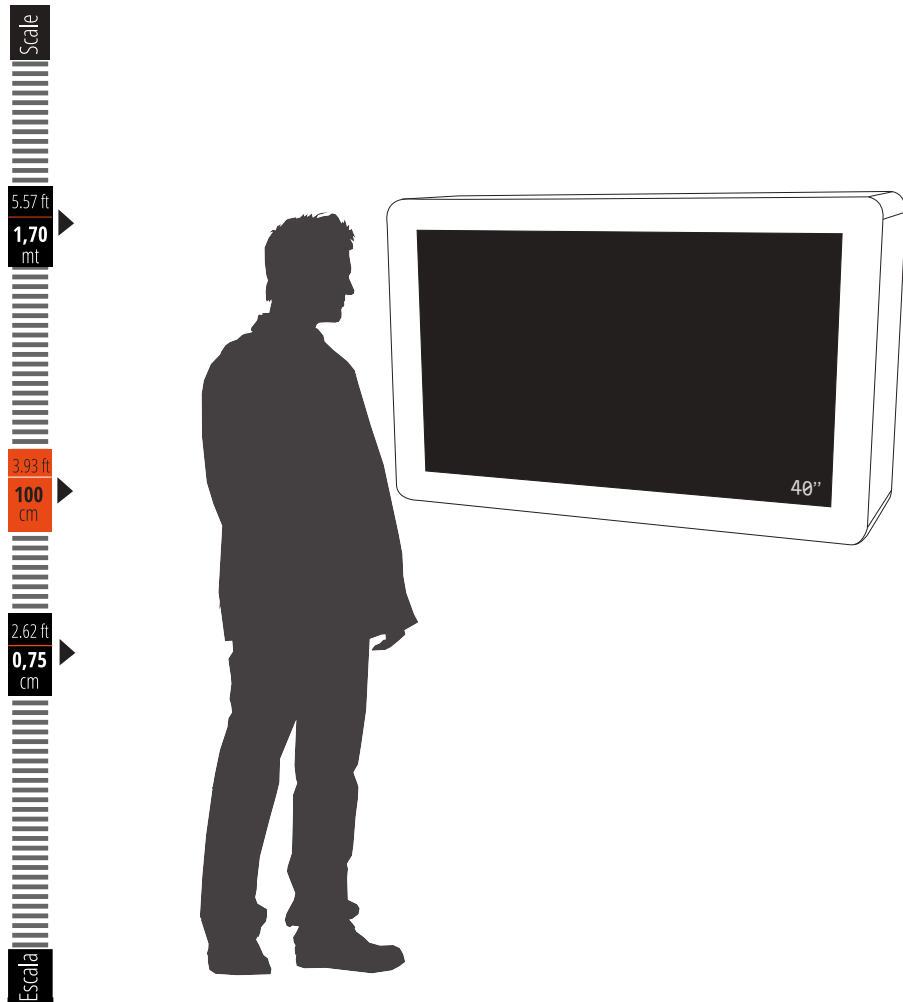
Round corners



Perfect Finishes

# Senses

Distance comparison and main features



## General Characteristics

### Type



Indoor



Outdoor

### Materials



Painted Steel



Stainless Steel




MDF



Glass

### Options



Webcam 



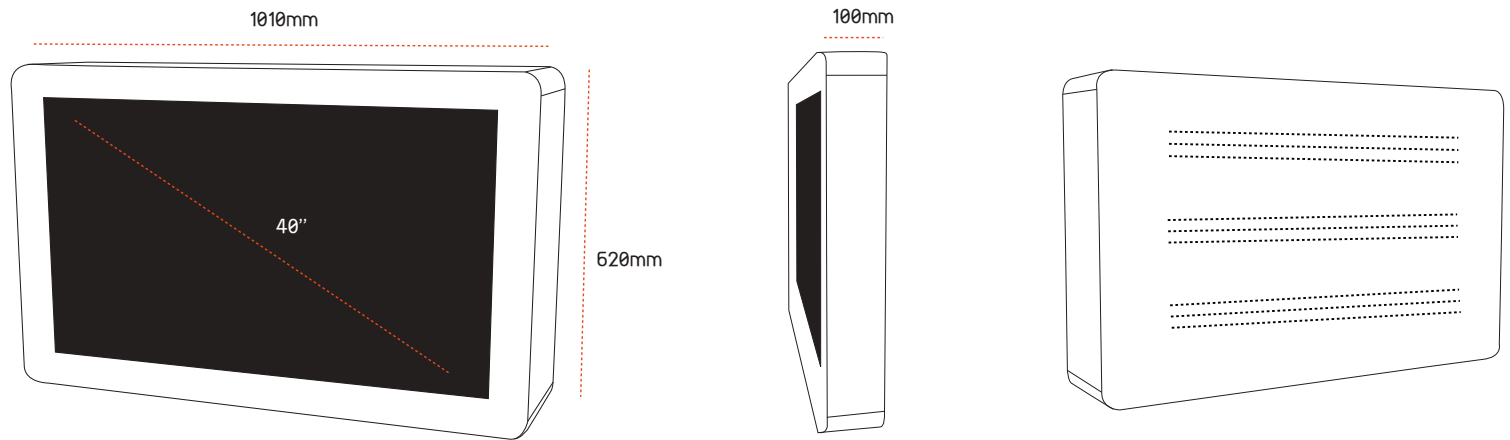
Ykiosk Software

(Other options available upon request)

► The dimensions and specifications are given in graphical representation and may not correspond to the reality of the equipment. The dimensions shown are approximate and represent the equipment for a certain size display. The final dimension may vary depending on the display model and other components used. The client must request a technical drawing for final validation (measures and specifications).



## Technical Drawing



► The dimensions and specifications are given in graphical representation and may not correspond to the reality of the equipment. The dimensions shown are approximate and represent the equipment for a certain size display. The final dimension may vary depending on the display model and other components used. The client must request technical drawing for final validation (measures and specifications).

## Configuration



H 620 W 1010 D 100mm  
(for 42" display)



Displays to 22" a 103"  
(resolution 1280x 1024 to 1920 x 1080 px)



Weight 25 Kg  
(for 42" display)



Steel plate of 1,5mm/2mm



Integrated speakers



Stainless steel AISI304 or painted  
steel (RAL Colors) or glass

### OPTIONAL



22" to 103" Displays



Touch screen  
(SAW, Infrared, ProCap)



Atom, Dual Core, Core i3 or i5 PC computer



Wireless - WLAN



Windows 7 or 8, Linux, Mac \*



Bluetooth



Ykiosk software (secure shell & browser)



Webcam

Other components can be integrated  
changing kiosk dimensions: ticket printer,  
coin validator, bill validator, card readers,  
antivandalic keyboard, proximity sensor, etc.

\* depending on type of touch technology used

► The dimensions and specifications are given in graphical representation and may not correspond to the reality of the equipment. The dimensions shown are approximate and represent the equipment for a certain size display. The final dimension may vary depending on display model and other components used. The client must request technical drawing for final validation (measures and specifications).

# Multimedia **kiosks**

Touch... the sky

This document is provided only for information purposes. The presented information is subject to change without prior notice, given the constant evolution of content. THE PARTTEAM GROUP is not responsible for any errors or omissions in this document, based on the information it contains, as a result of its publication.



oemKIOSKS | Partteam Group Portugal | Rua Nova da Nespereira, Pavilhão 10 | 4770 -287 Lagoa - Vila Nova de Famalicão  
tel: +351 252 378 589 | +351 252 327 185 | fax: + 351 252 378 591 | Portugal  
[www.oemkiosks.com](http://www.oemkiosks.com) | [oem@oemkiosks.com](mailto:oem@oemkiosks.com)