

# Soul Ticket Kiosk

## Datasheet

Welcome to oemKIOSKS



---

Touch...The Sky



# Soul Ticket

Adaptable for queue management

## Technical Specifications Soul Ticket Kiosk

Dimensions: H1400 x W300 x D200 mm  
Weight: aprox. 30 Kg.

The Soul Ticket model was developed for public or private institutions to attend the clients where, somehow, a management service / waiting queues is needed. It is exclusively for indoor uses to be placed in a top of a table or balcony. It may have 1 to 8 buttons.

Apart from buttons that allow each user to choose the service we wants, the kiosk prints a ticket information to indicate the number of entrance and estimated time of call (with a service / queues integration software).

The printer driver has TCP / IP.

The information paper with indications of the functions / services that each button is intended for, has easy access and replacement and can be easily modified.

This model can be manufactured in stainless steel AISI 304 or painted steel (available in all RAL colors).

Optionally Soul Ticket can be integrated with a 7" or 10" display for use dynamic menus with the buttons.

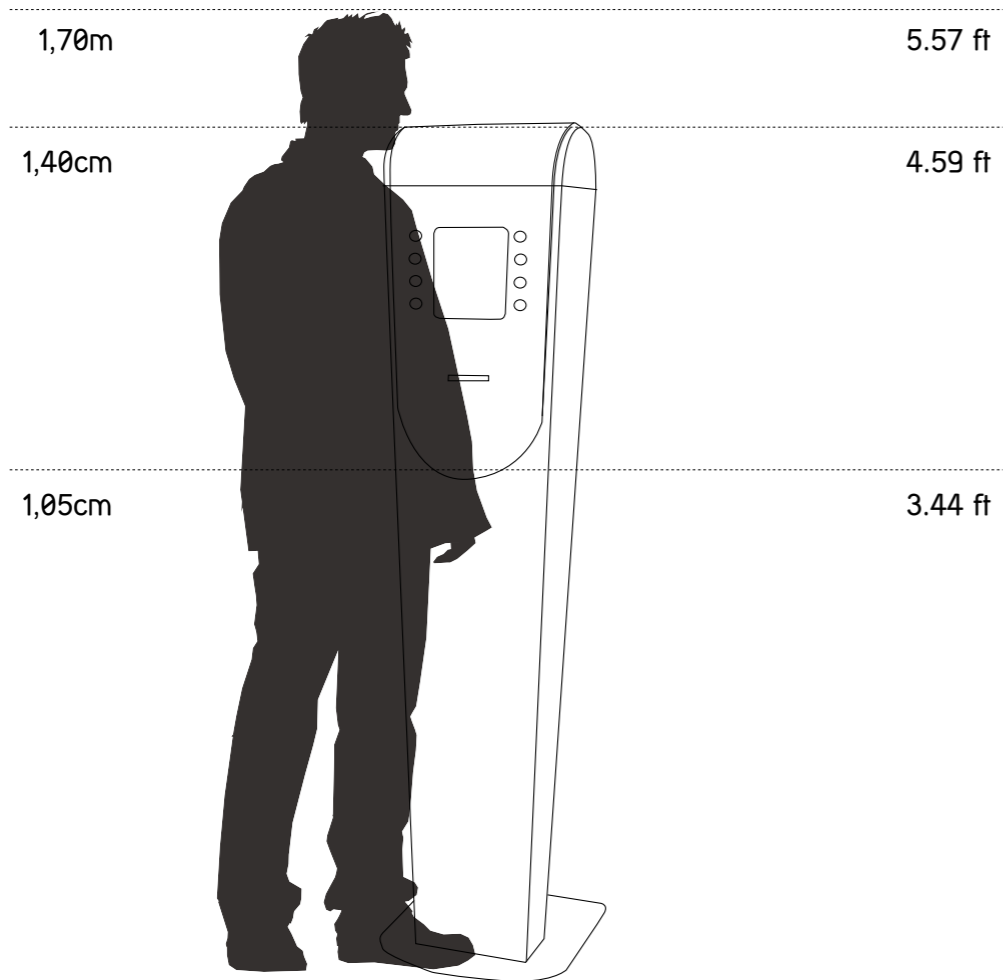


Soul Ticket  
Adaptable for queue management



# Soul Ticket

Distance comparison and main features



## Type

Indoor

## Materials

Painted Steel

Stainless Steel

MDF

## Options

Ticket Printer

Card Reader

Bar Code Scanner

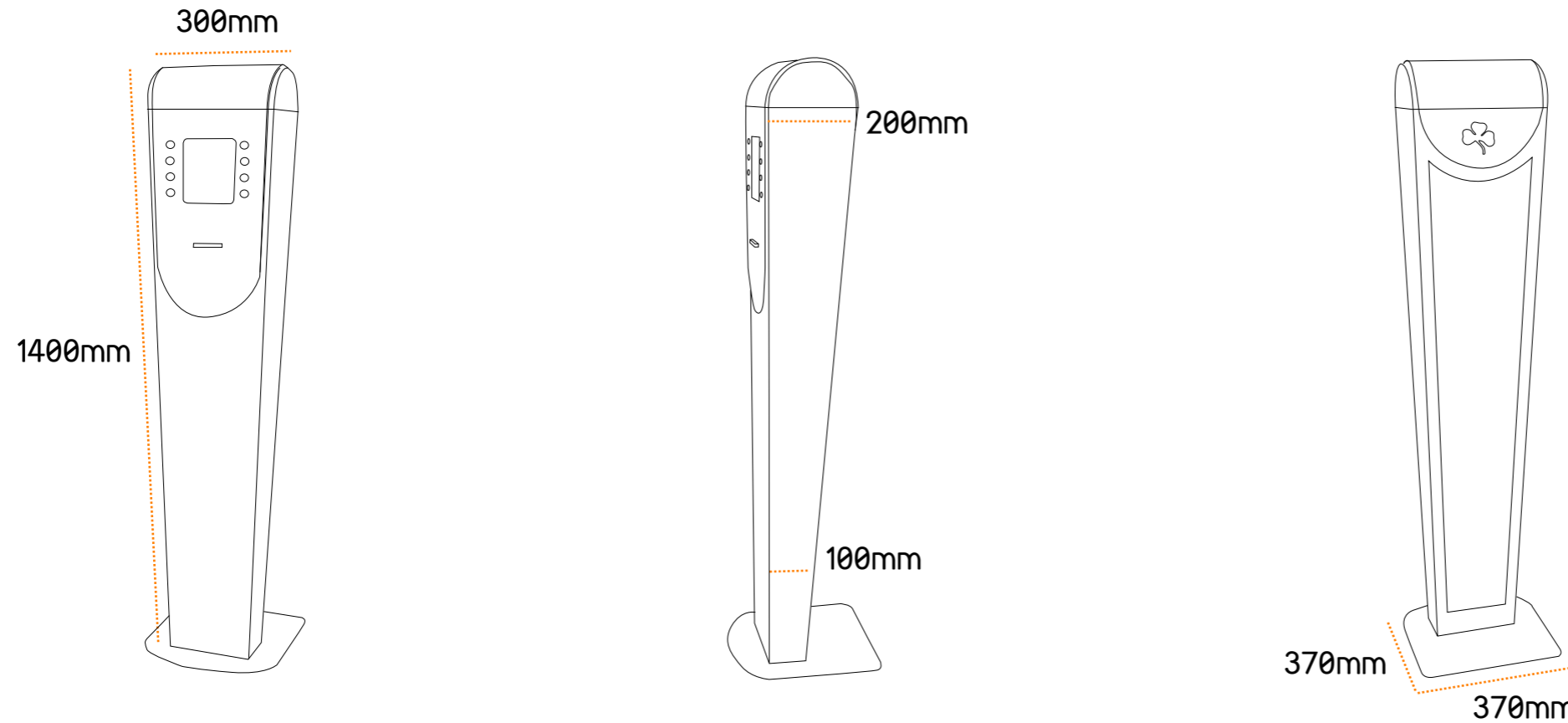
Chip Reader

Soul Ticket  
Distance comparison and main features

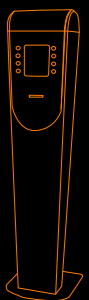


# Soul Ticket

Kiosk measures



Dimensions may vary depending on the components used



# Soul Ticket

Technical data

---

## Dimensions:

- H1400 W300 D200 mm

## Weight:

30 kg

## Configuration:

- Stainless steel AISI304 or painted steel (RAL Colors)
- Steel plate of 1,5mm to 2,5mm
- Ticket Printer
- Call buttons
- Printer Controller with TCP / IP
- Integration with software management service / queue waiting
- Paper with information from the buttons.

## Optional

7" or 10" display for images and dynamic menu.

---



# oemKIOSKS | Your white label kiosk company

This document is provided only for information purposes. The presented information is subject to change without prior notice, given the constant evolution of content.  
THE PARTTEAM GROUP is not responsible for any errors or omissions in this document, based on the information it contains, as a result of its publication.



oemKIOSKS | Partteam Group Portugal | Rua Nova da Nespereira, Pavilhão 10 | 4770 -287 Lagoa - Vila Nova de Famalicão  
tel: +351 252 378 589 | +351 252 327 185 | fax: + 351 252 378 591 | Portugal  
[www.oemkiosks.com](http://www.oemkiosks.com) | [oem@oemkiosks.com](mailto:oem@oemkiosks.com)