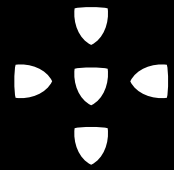


**Strong**

Touch...the sky!





Made in Europe

**Multimedia Kiosks and Digital Mupis are developed and produced in Portugal.**

The success of our company in the international market shows us that we have developed and produce excellent products and we should therefore be proud and confident in the future.

# Strong

An interactive platform with large dimensions

## Interactivity with Dimension



This table was developed to support the new technologies available in the market, like displays with SAW technology, Infrared or Procap with the possibility of the top surface being completely in glass.

We are talking about a great kiosk/interactive table with interactive single or multi-touch displays with dimensions from 22" to 55" that act as a virtual table.

You can use this equipment for several applications like multimedia (video, images, games, etc.), Interactive directories, interactive virtual calls, music or videos jukebox, applications for museums, etc..

Regarding security the kiosk has locks or systems that allow opening the doors only for professionals responsible. The electrical panel, installed inside the kiosk, includes a switch, differential and 3 sockets.

STRONG can be equipped with computers with different "performances" (CPU) with hard drives from 100 to 320 GB, 4 Gb Ram Memory, 128mb graphics card expandable to 512, 10/100 mb ethernet, and Windows 8 or 10.

This kiosk can also be equipped with computers with other OS like Linux, etc.

▮ The dimensions and specifications are given in graphical representation and may not correspond to the reality of the equipment. The dimensions shown are approximate and represent the equipment for a certain size display. The final dimension may vary depending on the display model and other components used. The client must request technical drawing for final validation (measures and specifications).

# Strong

Interactivity with Dimension

## Dimensions Kiosk



H 1100 W 1420  
D 880 mm  
(for 55" display)



Weight  
(Aprox. 75 kg)



### EXHIBITION AND INTERACTIVITY

The STRONG model excels for contemporary lines and magnificence in the space where it is installed.

This is an excellent model widely used to serve as an interactive information point.

It is especially oriented to multimedia, because can integrate large displays and interactive touch systems.

▮ The dimensions and specifications are given in graphical representation and may not correspond to the reality of the equipment. The dimensions shown are approximate and represent the equipment for ascertain size display. The final dimension may vary depending display model and other components used. The client must request technical drawing for final validation (measures and specifications).



# Strong

Interactivity with Dimension

High Trust,  
Maximum  
Performance



22" to 55" Displays



## VERSATILE AND MULTITASKING

This is an excellent model widely used to serve as a information point or interactive table in museums, airports, galleries, shopping malls and others.

The versatility of this model is also one of its strengths since several components can be easily added, printers, webcams, barcode scanners, card readers and many more.

▮ The dimensions and specifications are given in graphical representation and may not correspond to the reality of the equipment. The dimensions shown are approximate and represent the equipment for certain size display. The final dimension may vary depending display model and other components used. The client must request technical drawing for final validation (measures and specifications).

# Strong

Interactivity with Dimension

Strong 22 inches



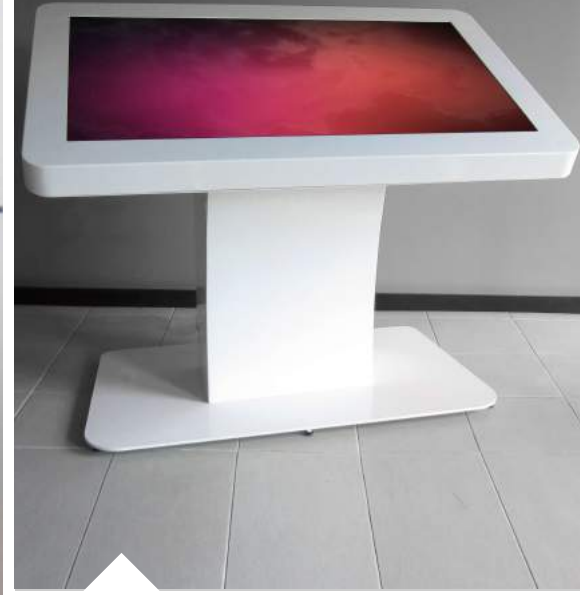
22<sup>吋</sup>  
Keyboard

42<sup>吋</sup>  
Indoor



Strong 42 inches

Strong 55 inches



55<sup>吋</sup>  
Indoor

# Strong

Interactivity with Dimension

Combination  
of **modernity**  
and **style...**



Available in any  
RAL color



## INCREDIBLY MODERN

We continually develop custom projects for our clients. We can customize and apply at the kiosk the corporate image of customer or any promotional campaign in vinyl or other materials.

The interactive table STRONG can be produced in any RAL color or stainless steel.

▮ The dimensions and specifications are given in graphical representation and may not correspond to the reality of the equipment. The dimensions shown are approximate and represent the equipment for a certain size display. The final dimension may vary depending on the display model and other components used. The client must request technical drawing for final validation (measures and specifications).

## Interactive Technology

### Touch the sky

STRONG was developed to allow integration of any type of touchscreen technology, thus creating an interactive device for indoor or outdoor.

OEMKIOSKS unique experience in the field of interactive technologies, allows a perfect integration of touchscreens in STRONG effectively and professionally.

In outdoor kiosks, Procap technology may be integrated into STRONG, allowing the touch to be performed on glass surface, giving STRONG extreme security against vandalism.



Precision



Response



Touches



## Multitouch

Widest touch technologies can be used, each optimized for different operating characteristics and environments to suit application requirements of customers, like Surface Acoustic Wave (SAW), Capacitive, Infrared, Optical Imaging and Projected Capacitive (ProCap), etc.

STRONG interactive is available from 22" to 55", from single touch to 40 independent touches, and with finger, gloved hand & pointer inputs..

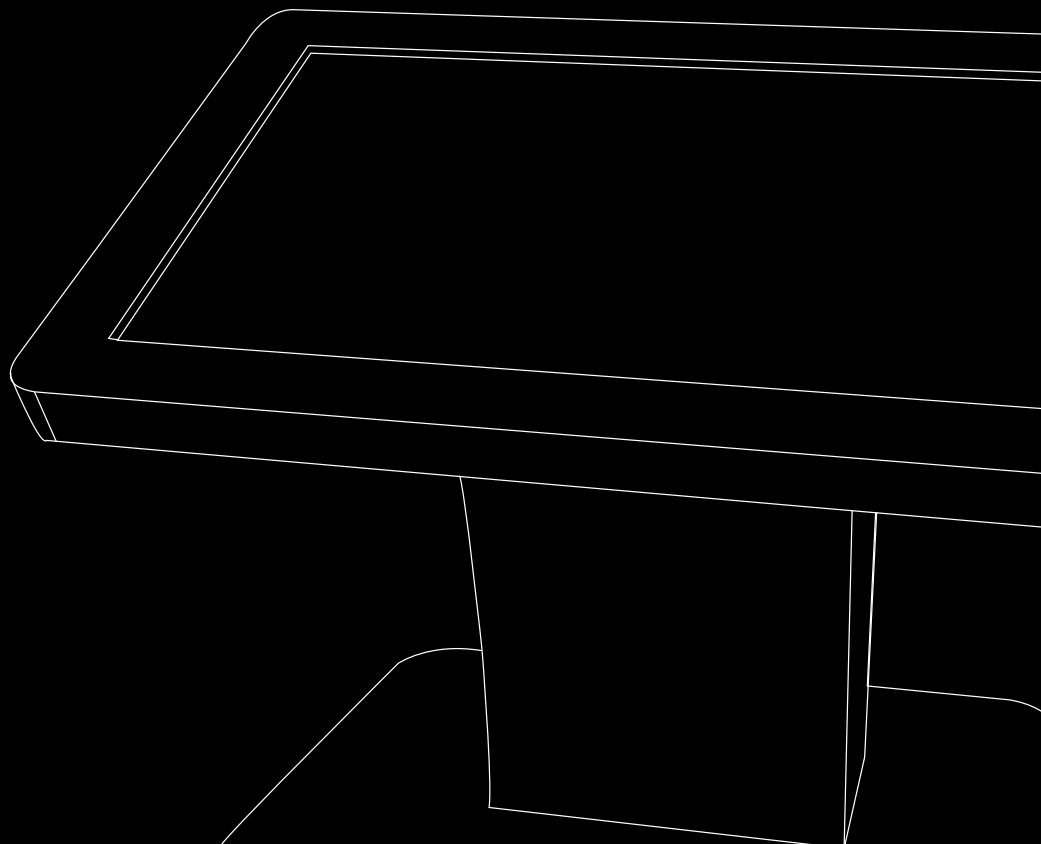


▮ The dimensions and specifications are given in graphical representation and may not correspond to the reality of the equipment.  
The dimensions shown are approximate and represent the equipment for a certain size display.  
The final dimension may vary depending on the display model and other components used.  
The client must request technical drawing for final validation (measures and specifications).



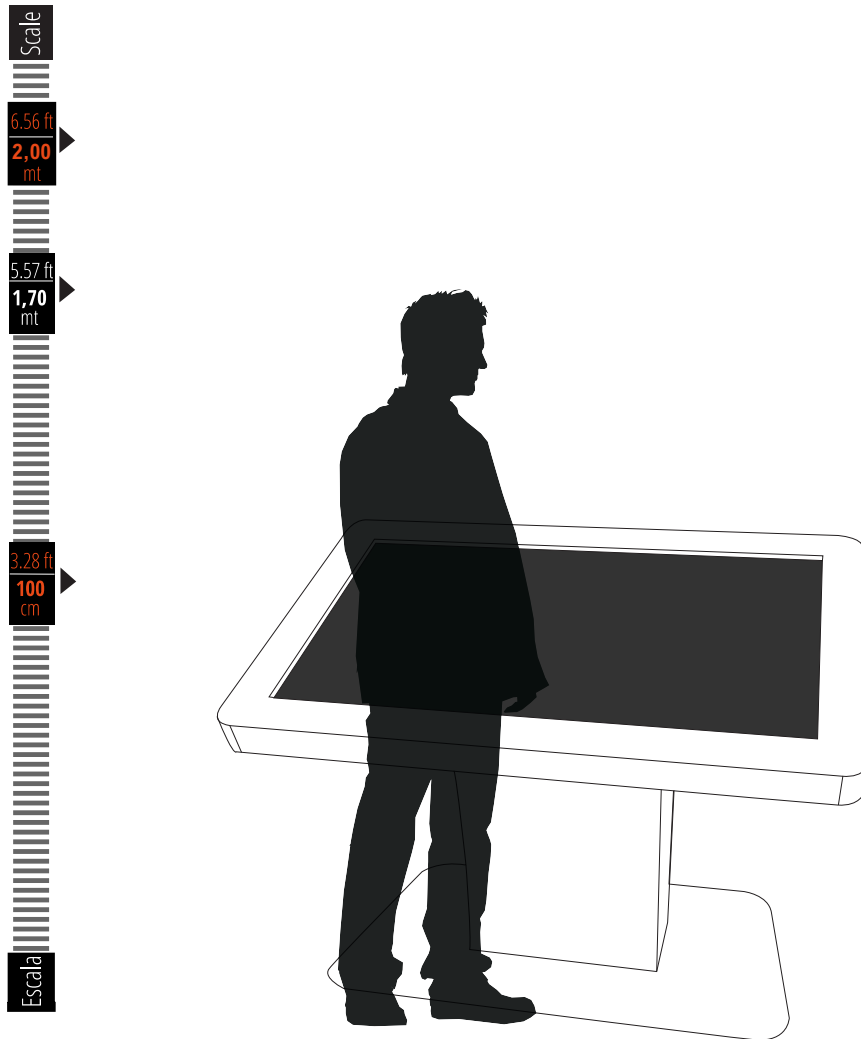
---

# Technical Specifications



# Strong

Distance comparison and main features



## General Characteristics

### Type



Indoor



outdoor

### Materials



Painted Steel



Stainless Steel (AISI 304/316)



MDF

### Options



Webcam



Ticket Printer



Antivandalic Keyboard



Bar Code Scanner



Card Reader



Bill / Coin Validator

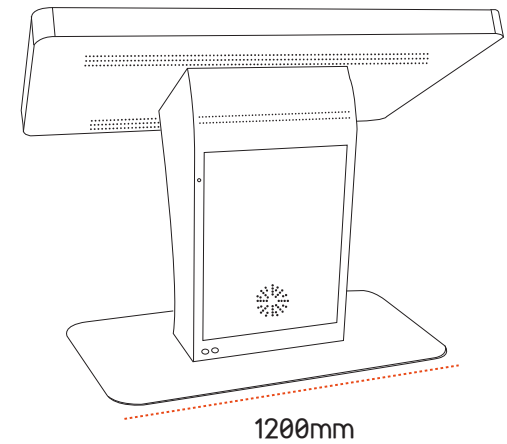
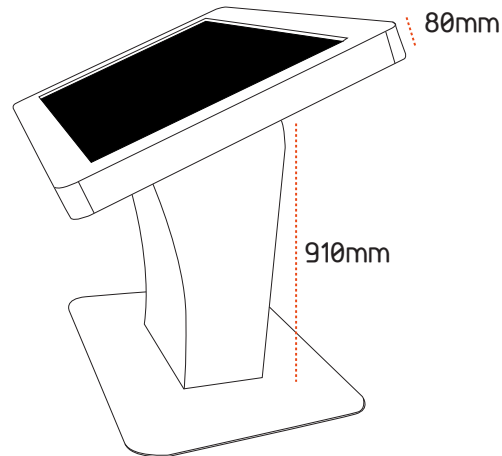
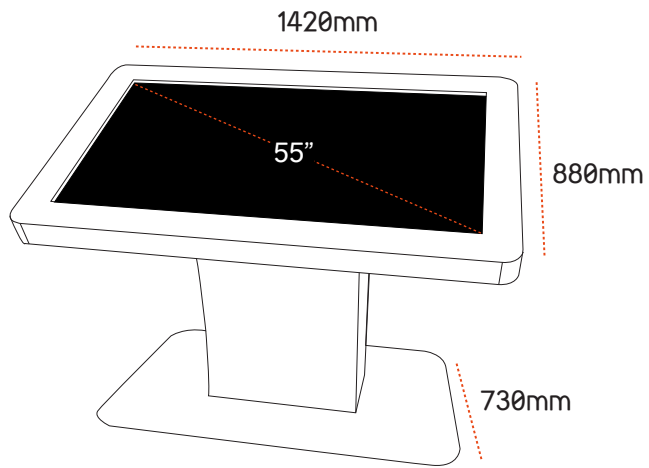


Software Ykiosk

(Other options available upon request)

▮ The dimensions and specifications are given in graphical representation and may not correspond to the reality of the equipment. The dimensions shown are approximate and represent the equipment for a certain size display. The final dimension may vary depending on the display model and other components used. The client must request a technical drawing for final validation (measures and specifications).

## Technical Drawing



▣ The dimensions and specifications are given in graphical representation and may not correspond to the reality of the equipment. The dimensions shown are approximate and represent the equipment for a certain size display. The final dimension may vary depending on the display model and other components used. The client must request a technical drawing for final validation (measures and specifications).

## Configuration



H 1100 W 1420 D 880mm  
(for 55" display)



Display 55"  
(resolution 1920 x 1080)



75 kg  
(for 55" display)



Steel plate of 1,5mm/2mm



Integrated speakers



Stainless steel AISI304/316 or  
painted steel (RAL Colors)

## OPTIONAL



22" to 55" Displays



Touch screen  
(SAW, Infrared, ProCap)



Available in any ral color



Atom, Dual Core, Core i3 or i5 PC computer



Wireless - WLAN



Antivandalic Keyboard



Windows 7 or 8, Linux, Mac \*



Bluetooth



Ykiosk software (secure shell & browser)



Webcam

Other components can be integrated changing kiosk dimensions: ticket printer, coin validator, bill validator, card readers, antivandalic keyboard, proximity sensor, etc.

\* depending on type of touch technology used



This document is provided only for information purposes. The presented information is subject to change without prior notice, given the constant evolution of content. THE PARTTEAM GROUP is not responsible for any errors or omissions in this document, based on the information it contains, as a result of its publication.

# Multimedia **kiosks**

Touch... the sky



oemKIOSKS | Partteam Group Portugal | Rua Nova da Nespereira, Pavilhão 10 | 4770 -287 Lagoa - Vila Nova de Famalicão  
tel: +351 252 378 589 | +351 252 327 185 | fax: + 351 252 378 591 | Portugal  
[www.oemkiosks.com](http://www.oemkiosks.com) | [oem@oemkiosks.com](mailto:oem@oemkiosks.com)

