

Xpectro Kiosk

PATENTED - DESIGN MODEL N°. 1650

Datasheet

Welcome to oemKIOSKS

oem**KIOSKS**TM
Your white label kiosks company

Touch...The Sky



Xpectro

The Internet Kiosk

Technical Specifications Xpectro Kiosk

Dimensions: H1100 x W730 x D450
Weight: aprox. 80 Kg.

The Xpectro Model was developed specifically for placing in walls, and can be both for outdoor or indoor use.

This model is manufactured in stainless steel AISI304 or painted steel (RAL Colors) using steel plate of 1,5mm to 2,5mm which ensures the stability and rigidity of all structure.

The Kiosks are normally equipped with a tactile 17" SXGA touchscreen display (SAW) (other dimensions are possible) and can be delivered with a anti vandalism keyboard with trackball, card reader, webcam, coin acceptor, tickets printer, handset phone and other peripherals. This model can be equipped with a anti vandalic monitor.

The area where the computer is installed and possible peripherals (card readers, coin acceptors, etc.), is protected with access through a security lock and includes three power plugs.

On top of display are two integrated speakers that fits smoothly in the all structure.

The Xpectro Model can be equipped with a Atom CPU with a 160 GB hard drive, 1 Gb Ram Memory, a 128Mb graphic card and a 10/100 mb ethernet and Windows 7 Starter.

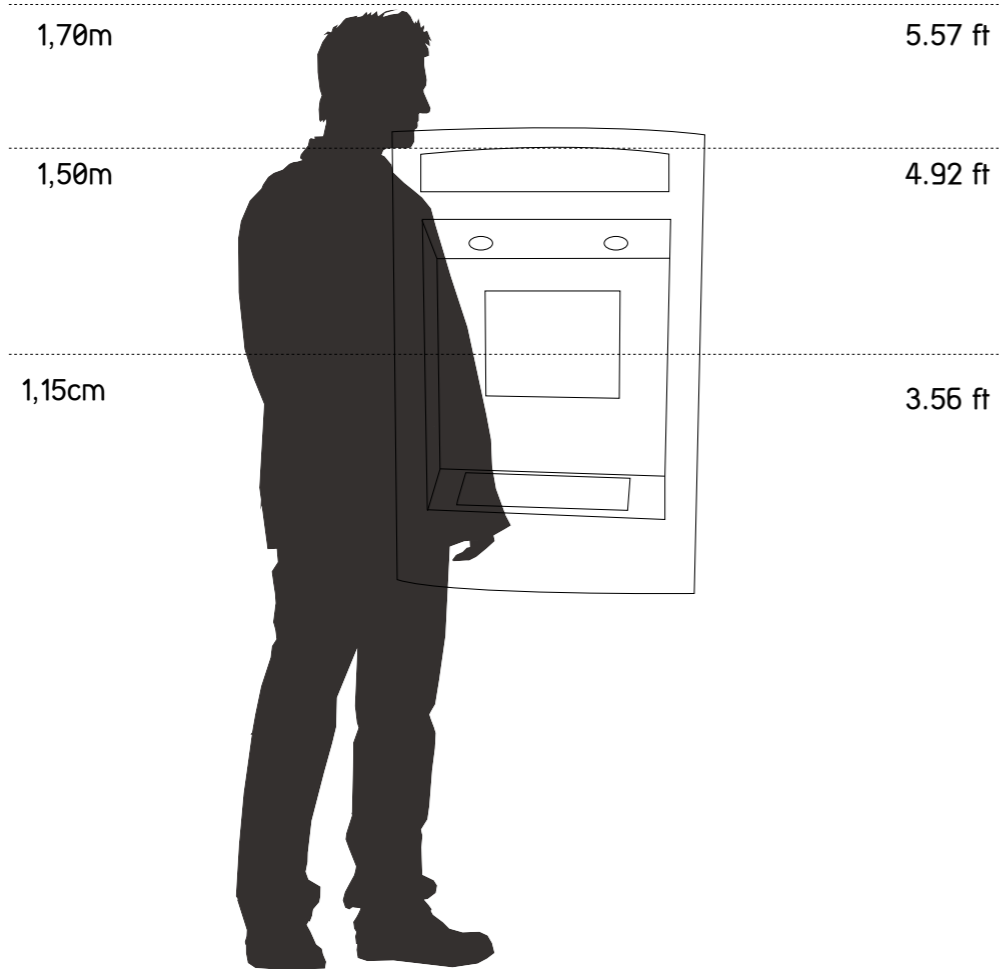


PATENTED - DESIGN MODEL N°. 1650



Xpectro

The Internet Kiosk



Type

- Indoor / Outdoor

Materials

- Painted Steel
- Stainless Steel

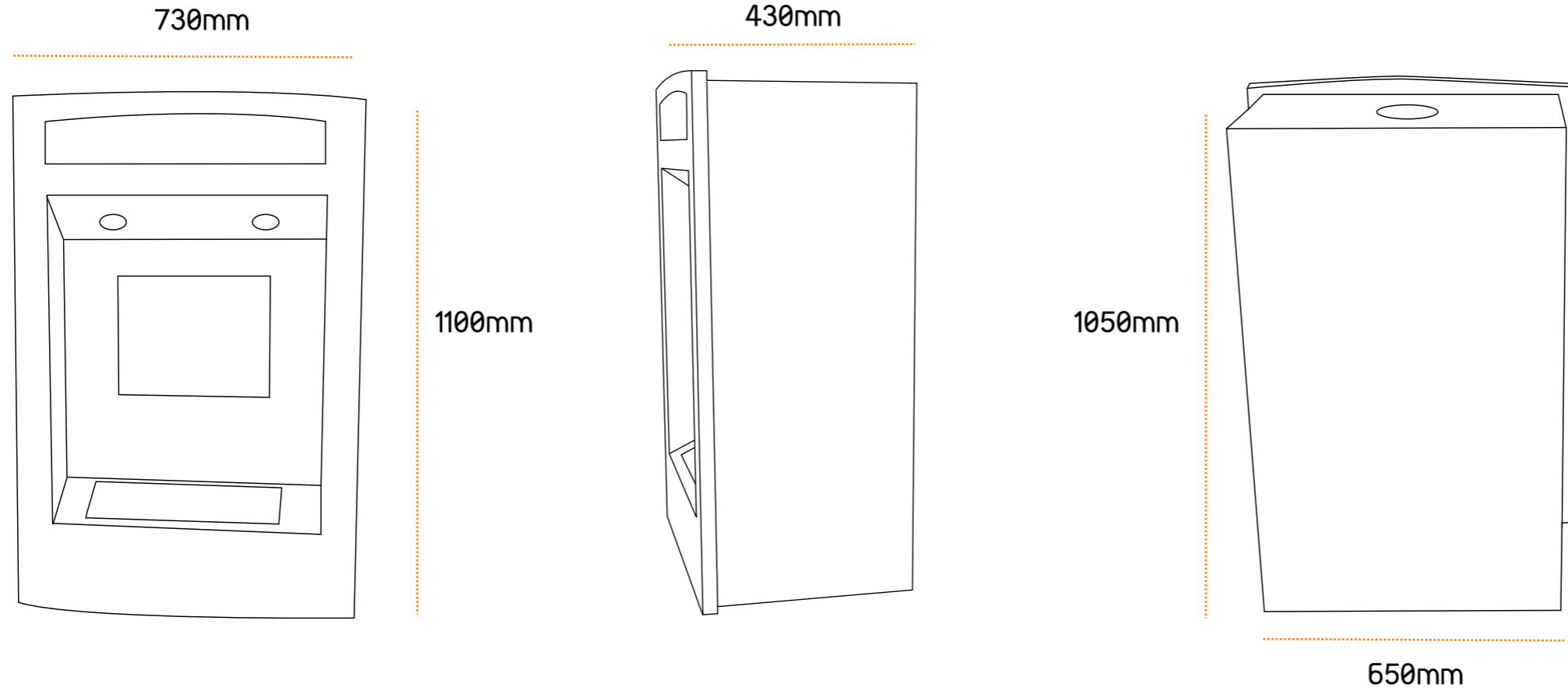
Options

- Webcam
- Ticket Printer
- Card Reader
- Antivandalic Keyboard
- Bar Code Scanner
- Handset Phone
- Coin Validator
- Bill Validator
- Ykiosk Software



Xpectro

The Internet Kiosk



Xpectro

Technical data

Dimensions:

- 17" Display (resolution: 1280 x 1024 Pixel)
- H1100, W730, D450

Weight:

80 kg

Configuration:

- The Internet Kiosk
- Stainless steel AISI304 or painted steel (RAL Colors)
- Steel plate of 1,5mm to 2,5mm
- 17" SXGA touchscreen display (SAW)
- Integrated speakers

Optional:

- 19" to 24" Displays
- Atom or Dual Core PC computer
- Microsoft Windows 7 Professional
- Ykiosk software package
- Touchscreen (Infrared, optical, capacitive)
- Wireless networking - WLAN
- Bluetooth functionality
- Webcam

• Other components can be integrated changing kiosk dimensions: ticket printer, coin validator, bill validator, card readers, antivandalic keyboard, proximity sensor, etc.



oemKIOSKS | Your white label kiosk company

This document is provided only for information purposes. The presented information is subject to change without prior notice, given the constant evolution of content.
THE PARTTEAM GROUP is not responsible for any errors or omissions in this document, based on the information it contains, as a result of its publication.



oemKIOSKS | Partteam Group Portugal | Rua Nova da Nespereira, Pavilhão 10 | 4770 -287 Lagoa - Vila Nova de Famalicão
tel: +351 252 378 589 | +351 252 327 185 | fax: + 351 252 378 591 | Portugal
www.oemkiosks.com | oem@oemkiosks.com