

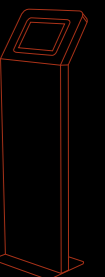
Kipad Kiosk

Datasheet

Welcome to oemKIOSKS



Touch...The Sky



Kipad

The Multitouch Innovation

The Kipad model is designed for indoor use only and to be integrated into an IPAD. Could be used as an Information Point of the institution / company where it is installed, Internet access point or for any application that can be developed for the iPad.

It can also be used for public or private institutions to attend the clients where, somehow, a management service / waiting queues is needed, by simply installing a printer for tickets.

Through a glossy widescreen Multi-Touch 9.7-inch you can quickly see the information you are looking for.

All the iPad applications were designed to take advantage of the Multi-Touch display and the advanced capabilities of IPAD.

The glass is scratch proof so, even when exposed to a massive use, will not damage the multi-touch screen.

This model can be manufactured in stainless steel AISI 304 or painted steel (available in all RAL colors) using steel plate of 1,5mm to 2mm.

Kipad can be equipped with an A4 Apple Chip with 1 GHZ, high performance and low power, Wi-Fi (802.11 a / b / g / n), Bluetooth 2.1 + EDR, etc.

Technical Specifications Kipad Kiosk

Dimensions: H1200 x W350 x D300
Weight: aprox. 19 Kg.



Landscape Kipad



Portrait Kipad

IPAD is a trademark of Apple Inc., registered in the U.S. and other countries

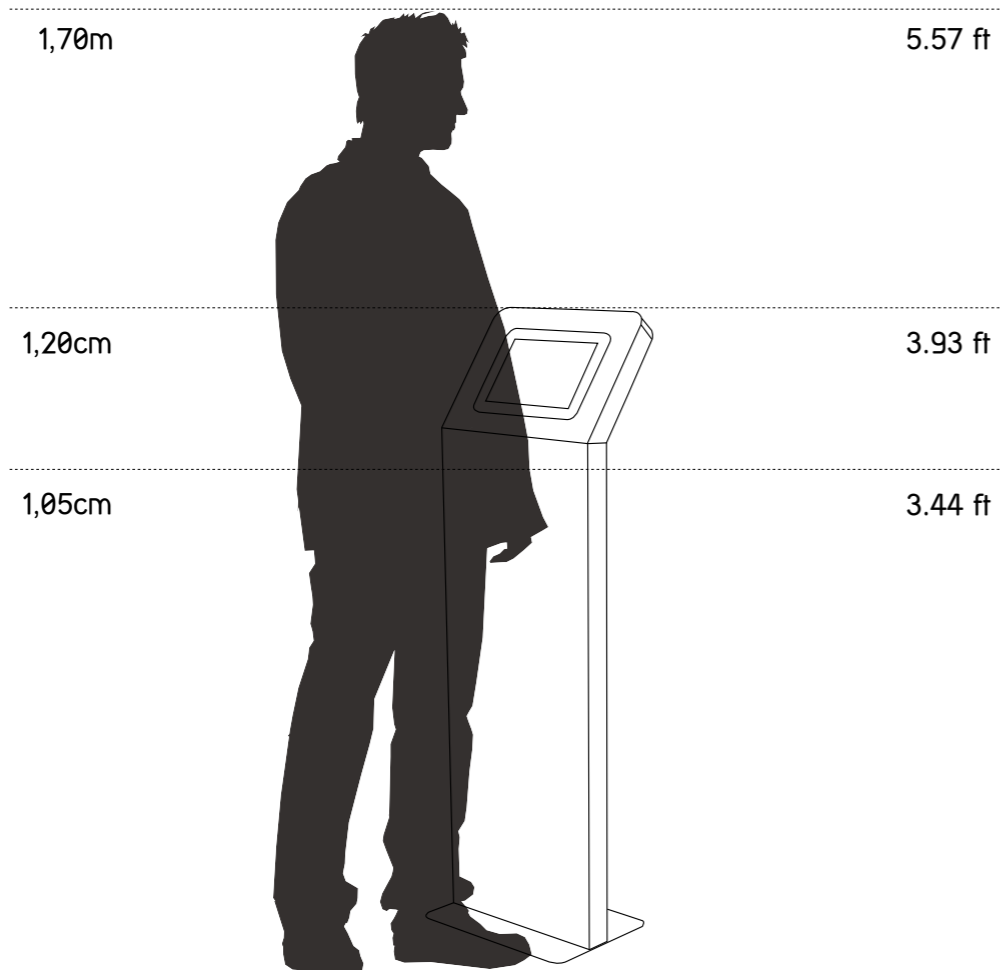
The Ipad
Kiosk

Kipad
The Multitouch Innovation



Kipad (Landscape)

Distance comparison and main features



Type

Indoor

Materials

Painted Steel

Stainless Steel

MDF

Options

Ticket Printer

Card Reader

Bar Code Scanner

Chip Reader

IPAD is a trademark of Apple Inc., registered in the U.S. and other countries

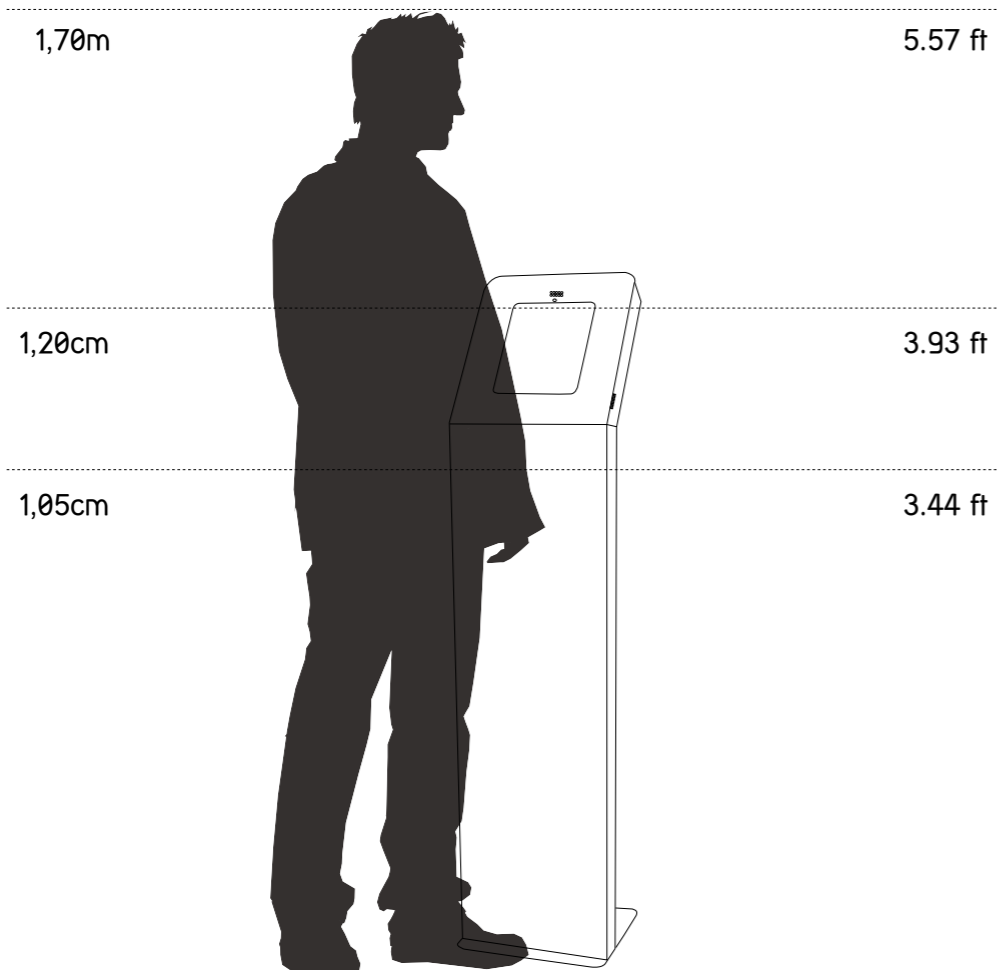
Kipad Landscape

Distance comparison and main features



Kipad (Portrait)

Distance comparison and main features



Type

Indoor

Materials

Painted Steel

Stainless Steel

MDF

Options

Ticket Printer

Card Reader

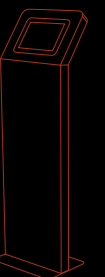
Bar Code Scanner

Chip Reader

IPAD is a trademark of Apple Inc., registered in the U.S. and other countries

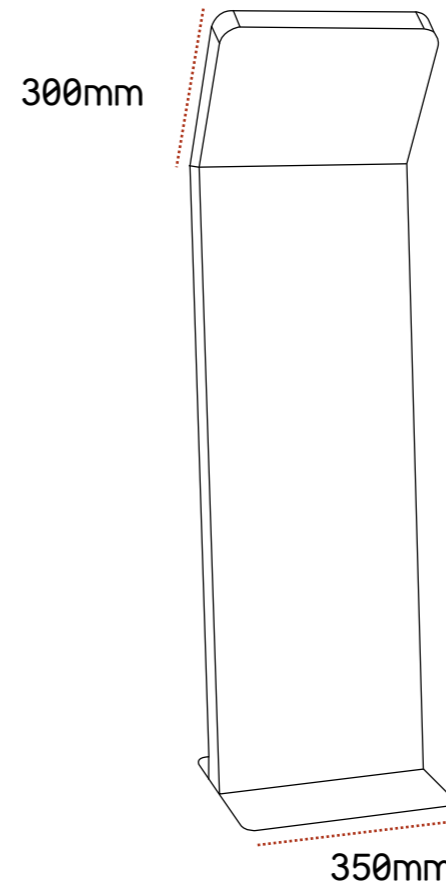
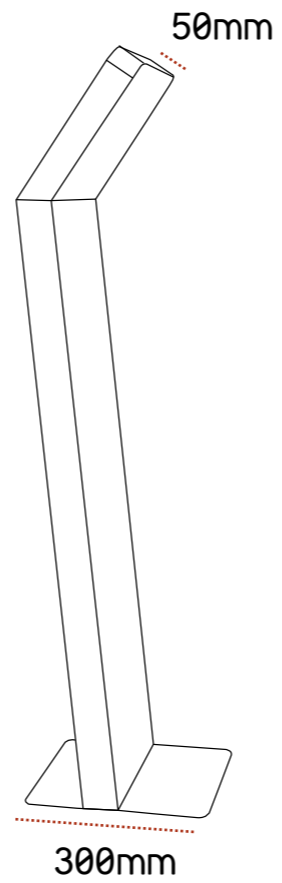
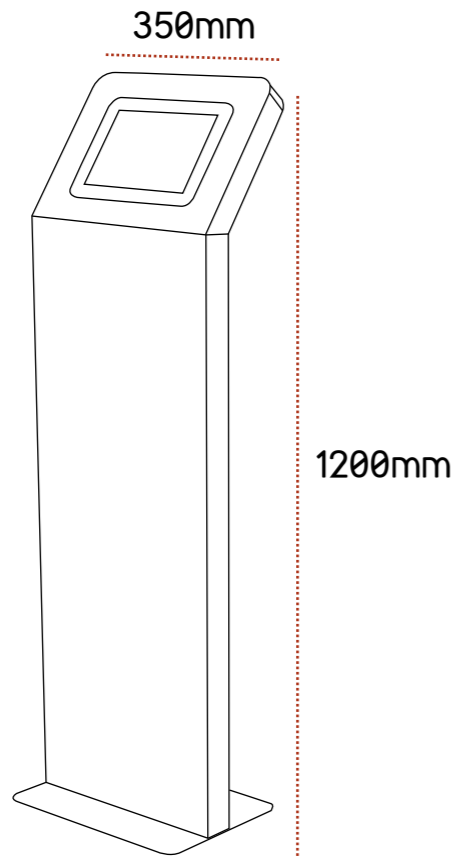
Kipad (Portrait)

Distance comparison and main features



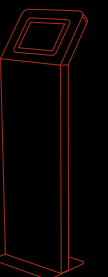
Kipad (Landscape)

Kiosk measures



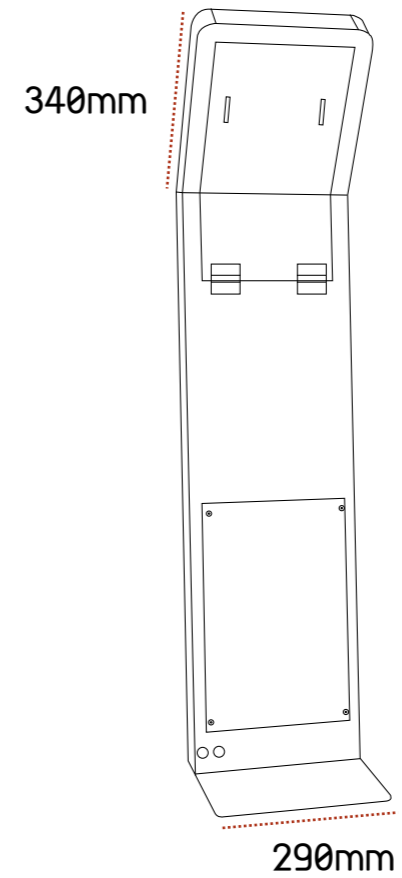
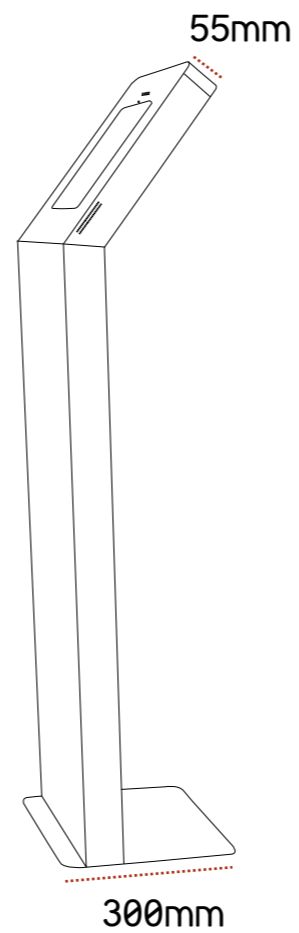
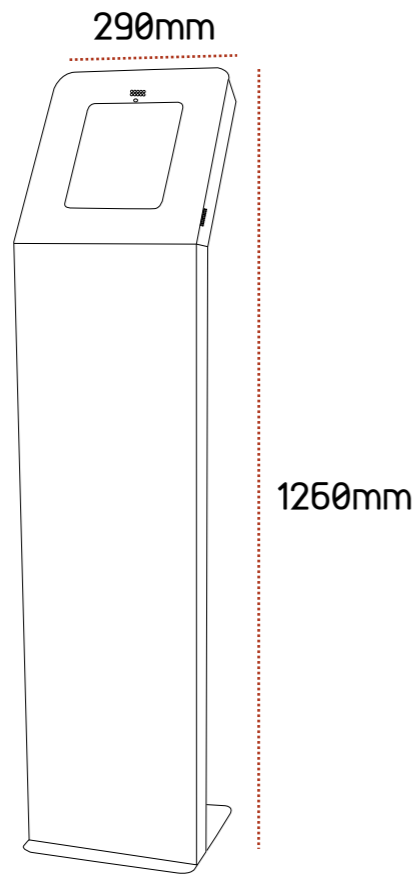
IPAD is a trademark of Apple Inc., registered in the U.S. and other countries

Kipad (Landscape)
Kiosk measures



Kipad (Portrait)

Kiosk measures



IPAD is a trademark of Apple Inc., registered in the U.S. and other countries

Kipad (Portrait)
Kiosk measures



Kipad

Technical data

Dimensions:

- H1200xW350xD300 (Kipad Landscape)
- H1250xW290xD300 (Kipad Portrait)

Weight:

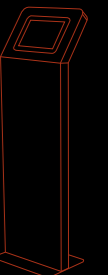
19 kg

Configuration:

- The multitouch Innovation
- Stainless steel AISI304 (front) and painted steel (rear)
- Steel plate of 1,5mm to 2mm
- Glossy widescreen Multi-Touch 9.7-inch (diagonal) LED-backlit IPS technology.

Computer

- IPAD
 - A4 Apple Chip 1 GHZ, high performance and low power consumption
 - H.264 video up to 720p, 30 frames per second, Main Profile Level 3.1 with AAC-LC up to 160 Kbps
-



oemKIOSKS | Your white label kiosk company

This document is provided only for information purposes. The presented information is subject to change without prior notice, given the constant evolution of content.
THE PARTTEAM GROUP is not responsible for any errors or omissions in this document, based on the information it contains, as a result of its publication.



oemKIOSKS | Partteam Group Portugal | Rua Nova da Nespereira, Pavilhão 10 | 4770 -287 Lagoa - Vila Nova de Famalicão
tel: +351 252 378 589 | +351 252 327 185 | fax: + 351 252 378 591 | Portugal
www.oemkiosks.com | oem@oemkiosks.com