

Modulu Table Kiosk

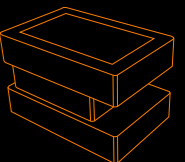
PATENTED - DESIGN MODEL N°. 2034

Datasheet

Welcome to oemKIOSKS



Touch...The Sky



Modulu Table

The interactive table for the future

The Modulu Table model was developed for indoors use (shopping, restaurants, cofes)

This model can be manufactured in stainless steel or painted steel (available in all RAL colors) using steel plate of 1,5mm to 2,5mm which ensures the stability and rigidity of the all structure.

This kiosk was designed to support the new technologies available in the market. We are talking about a fantastic interactive 42" multi-touch display that will work as a virtual table.

We can see pictures, increase, reduce, move, insert a USB flash drive, copy files etc.. Several functions that we can do with a group of friends gathered at this future table.

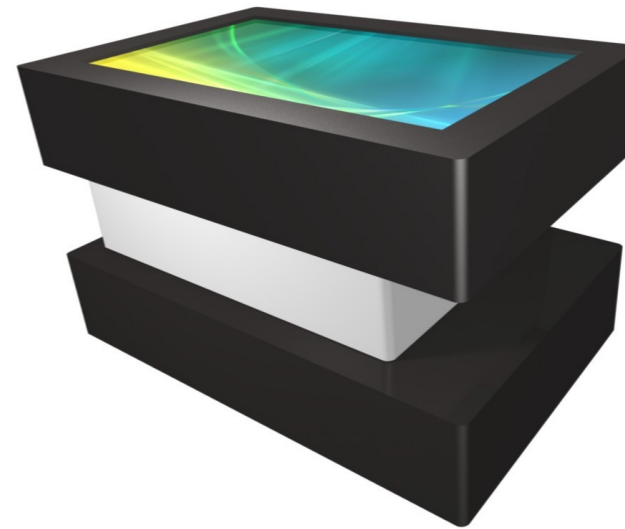
The area where computer is installed and possible peripherals (card readers, coin acceptors, etc.), is protected with access through a security lock and includes a base with three power plugs.

On the side of the monitor are two speakers and the kiosk has 2 independent systems of ventilation, one for the monitor and other for the PC.

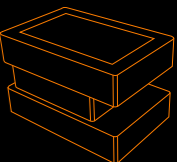
The Modulu Table Model can be equipped with a Atom CPU with a 160 GB hard drive, 1 Gb Ram Memory, a 128Mb graphic card and a 10/100 mb ethernet, and Windows 7 Starter.

Technical Specifications Modulu Table Kiosk

Dimensions: H750 x W1200 x D800
Weight: aprox. 80 Kg.

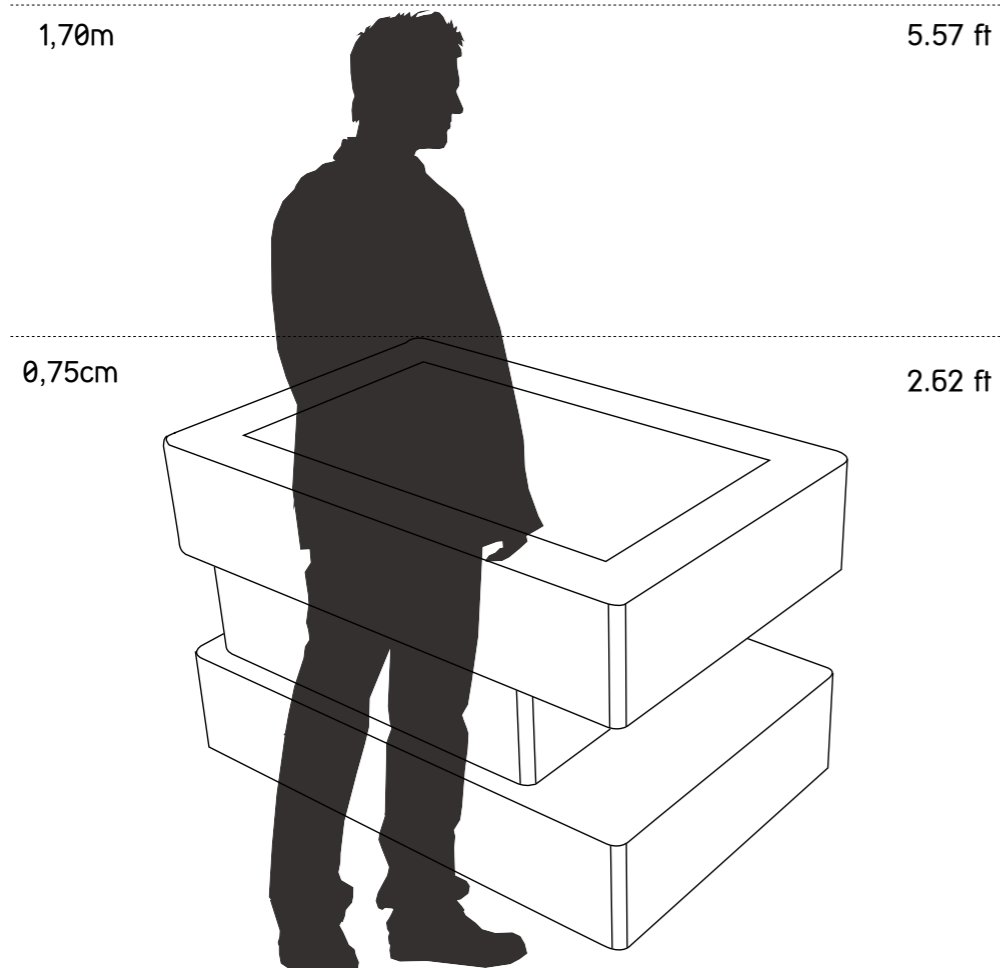


PATENTED - DESIGN MODEL N°. 2034



Modulu Table

Distance comparison and main features



Type

Indoor

Materials

Painted Steel

Stainless Steel

MDF

Options

Webcam

Ticket Printer

Card Reader

Antivandalic Keyboard

Bar Code Scanner

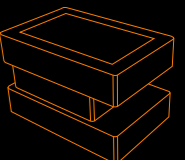
Handset Phone

Coin Validator

Bill Validator

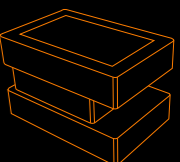
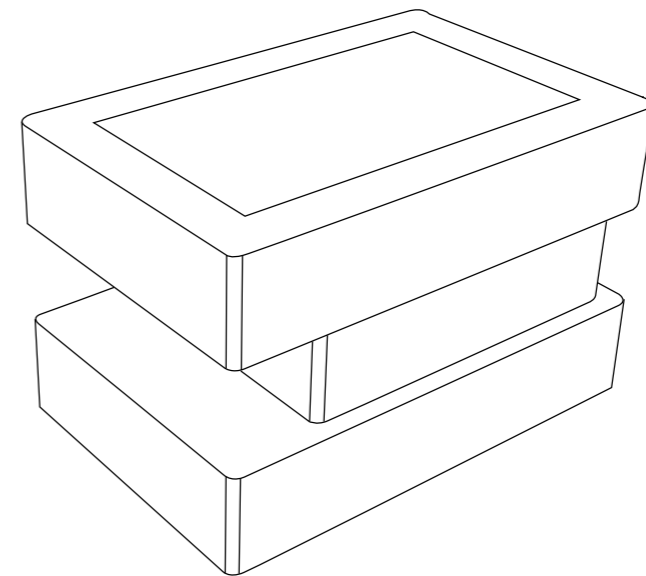
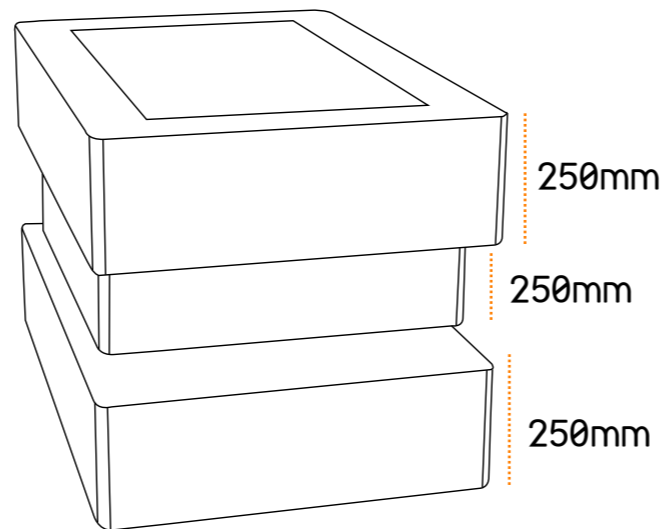
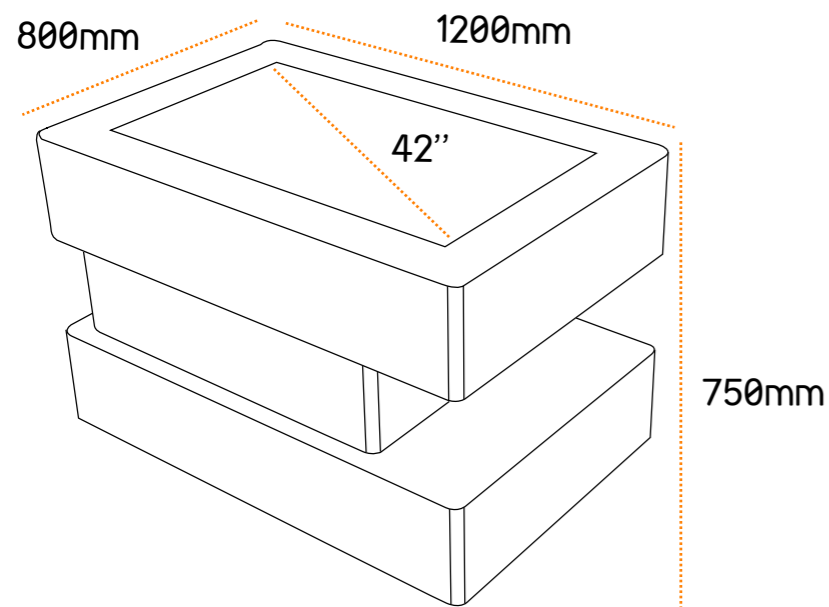
Ykiosk Software

Modulu Table
Distance comparison and main features



Modulu Table

Kiosk measures



Modulu Table

Technical data

Dimensions:

- 42" Display (resolution: 1920x 1080 Pixel)
- H800 W1200 D800

Weight:

80 kg

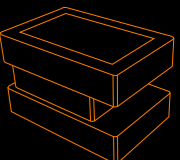
Configuration:

- The interactive table for the future
- Stainless steel AISI304 or painted steel (RAL Colors)
- Steel plate of 1,5mm to 2,5mm
- 32" display
- Integrated speakers

Optional:

- 32" to 56" displays
- Atom or Dual Core PC computer
- Microsoft Windows 7 Professional
- Ykiosk software package
- Touchscreen
- Wireless networking - WLAN
- Bluetooth functionality
- Webcam

• Other components can be integrated changing kiosk dimensions: ticket printer, coin validator, bill validator, card readers, antivandalic keyboard, proximity sensor, etc.



oemKIOSKS | Your white label kiosk company

This document is provided only for information purposes. The presented information is subject to change without prior notice, given the constant evolution of content.
THE PARTTEAM GROUP is not responsible for any errors or omissions in this document, based on the information it contains, as a result of its publication.



oemKIOSKS | Partteam Group Portugal | Rua Nova da Nespereira, Pavilhão 10 | 4770 -287 Lagoa - Vila Nova de Famalicão
tel: +351 252 378 589 | +351 252 327 185 | fax: + 351 252 378 591 | Portugal
www.oemkiosks.com | oem@oemkiosks.com