

Saphir Kiosk

Datasheet

Welcome to oemKIOSKS

oem**KIOSKS**
Your white label kiosks company

Touch...The Sky



Saphir

Motorized vertical adjustment of the display

Technical Specifications Saphir Kiosk

Dimensions: A1700/2000 x L630x P550

Weight: aprox. 100 Kg.

The Saphir model was developed for indoors use to work as stand up kiosk.

This model can be manufactured in stainless steel or painted steel (available in all RAL colors) using steel plate of 1,5mm to 2,5mm which ensures the stability and rigidity of the all structure.

This new kiosk model from Partteam Group works like any other but have the particularity of owning a motorized vertical adjustment of the display. Has being a kiosk equipped with touchscreen technology and having multiple display positions, the saphir can be used by adults, children and people with physical disabilities.

This Saphir model is normally equipped with a tactile monitor and can be delivered with a anti vandalism keyboard with trackball, card reader, webcam, coin acceptor, tickets printer, handset phone and other peripherals. This model can be equipped with a anti vandalic monitor.

On the side of the monitor are two speakers and the kiosk has 2 independent systems of ventilation, one for the monitor and other for the PC.

The Saphir is normally equipped with high-performance computer, with any range of CPU, 150 GB hdd or higher, 2 GB RAM, 10/100 Mb network card and any operating system (Windows, Linux, etc.), but is usually equipped Windows 7 Home or Professional Edition.

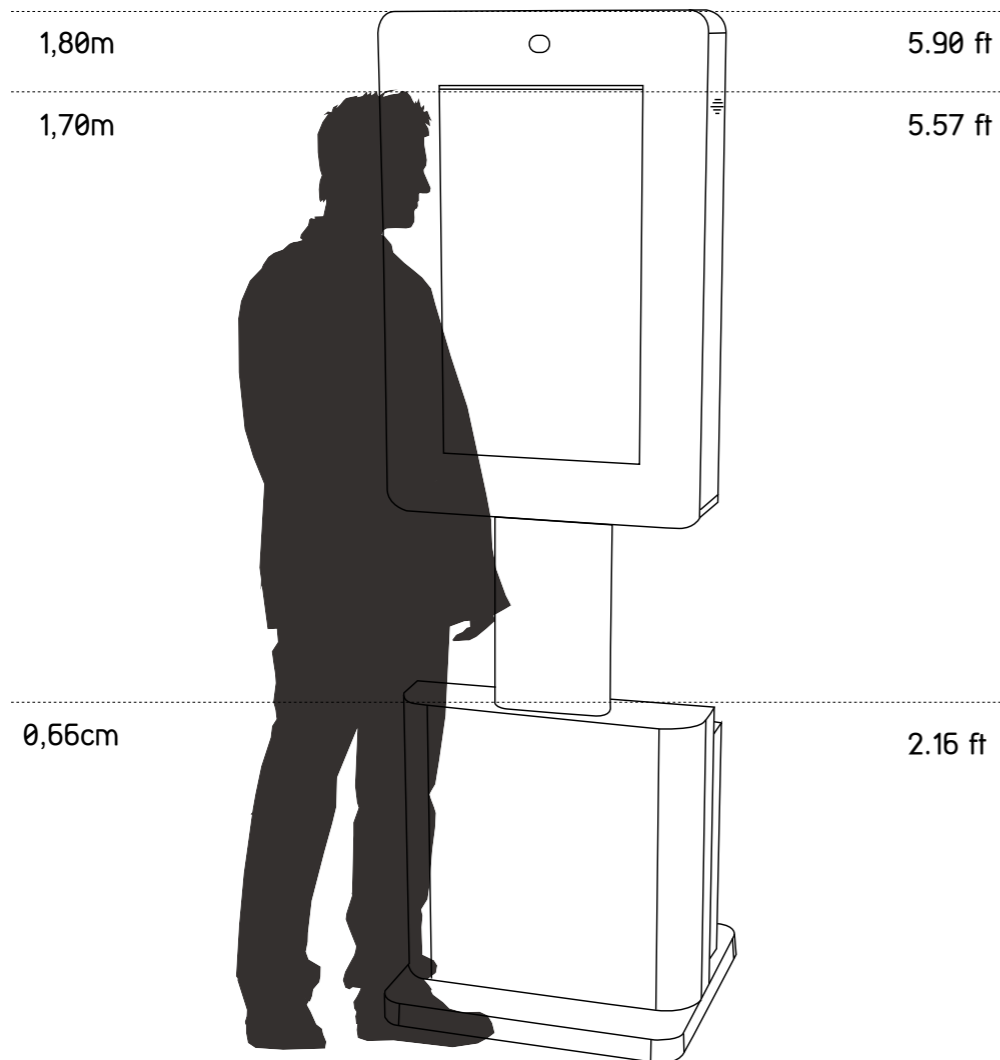


Motorized vertical adjustment of the display. The display can go up and down if necessary.



Saphir

Distance comparison and main features



Type

Indoor

Materials

Painted Steel

Stainless Steel

MDF

Options

Webcam

Ticket Printer

Card Reader

Antivandalic Keyboard

Bar Code Scanner

Handset Phone

Coin Validator

Bill Validator

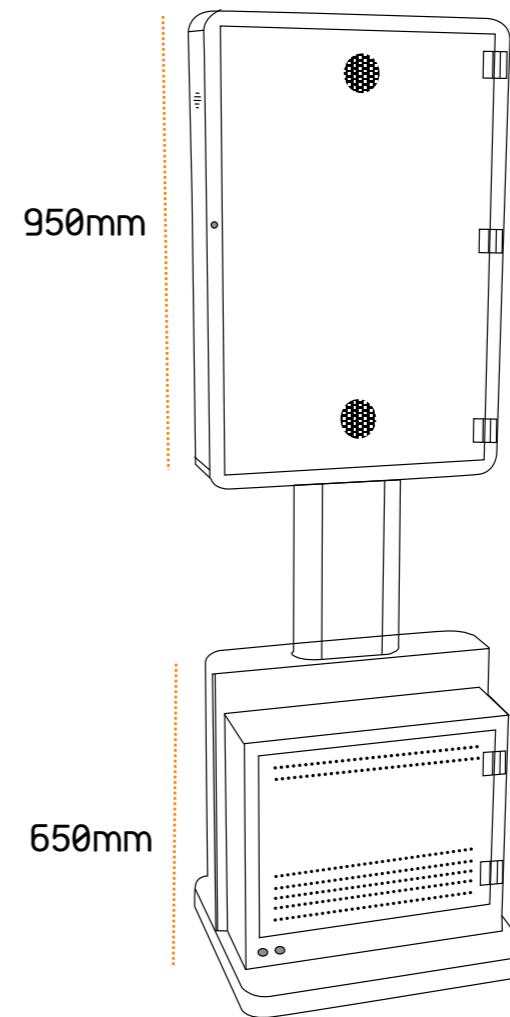
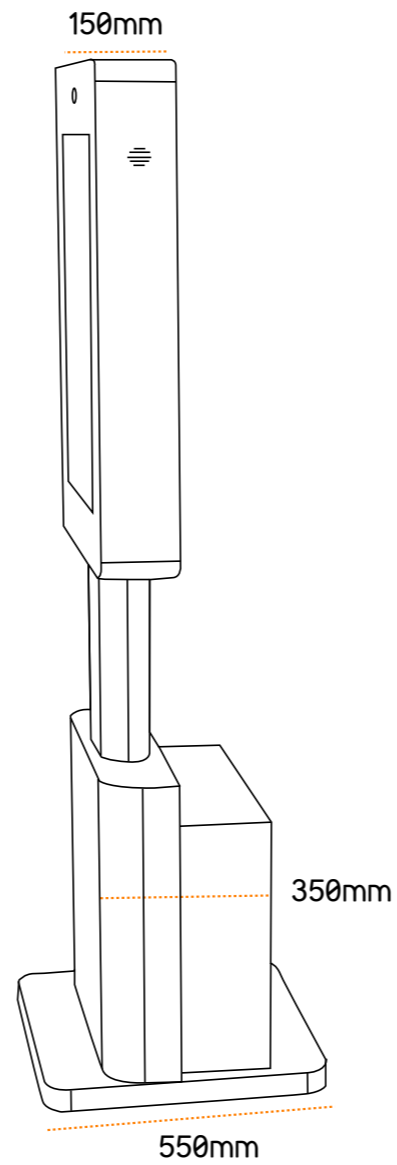
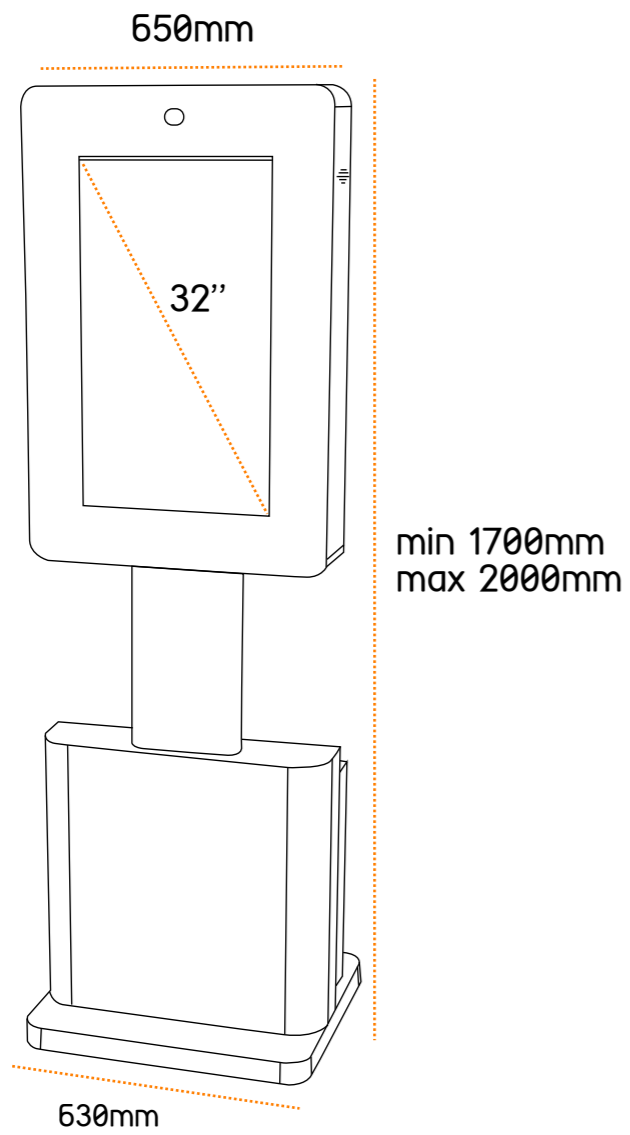
A4 Printer

Ykiosk Software



Saphir

Kiosk measures



Saphir

Technical data

Dimensions:

- 32" Display (resolution: 1280 x 1024 Pixel)
- H min: 1700 max:2000 W630 D550

Weight:

100 kg

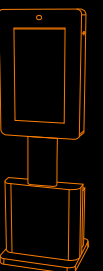
Configuration:

- Stainless steel AISI304 or painted steel (RAL Colors)
- Steel plate of 1,5mm to 2,5mm
- 32" SXGA touchscreen display (SAW)
- Integrated speakers

Optional:

- 17" to 108" Displays
- Atom or Dual Core PC computer
- Microsoft Windows 7 Professional
- Ykiosk software package
- Antivandalic Keyboard
- Touchscreen (Infrared, optical, capacitive)
- Wireless networking - WLAN
- Bluetooth functionality
- Webcam

• Other components can be integrated changing kiosk dimensions: ticket printer, coin validator, bill validator, card readers, antivandalic keyboard, proximity sensor, etc.



oemKIOSKS | Your white label kiosk company

This document is provided only for information purposes. The presented information is subject to change without prior notice, given the constant evolution of content.
THE PARTTEAM GROUP is not responsible for any errors or omissions in this document, based on the information it contains, as a result of its publication.



oemKIOSKS | Partteam Group Portugal | Rua Nova da Nespereira, Pavilhão 10 | 4770 -287 Lagoa - Vila Nova de Famalicão
tel: +351 252 378 589 | +351 252 327 185 | fax: + 351 252 378 591 | Portugal
www.oemkiosks.com | oem@oemkiosks.com