

# Thin Kiosk

PATENTED - DESIGN MODEL N°. 1629

## Datasheet

Welcome to oemKIOSKS



---

Touch...The Sky



# Thin

## Design and simplicity

The Thin model was developed for indoors use to work as stand up kiosk.

The Thin15, 17 or 19 models have the same characteristics and dimensions, and the only difference among them is the size of the tactile monitor, 15", 17", or 19".

This model can be manufactured in stainless steel or painted steel (available in all RAL colors) using steel plate of 1,5mm to 2,5mm which ensures the stability and rigidity of the all structure.

This model is normally equipped with a tactile monitor and can be delivered with a anti vandalic keyboard with trackball, card reader, webcam, coin acceptor, tickets printer, handset phone and other peripherals. This model can be equipped with a anti vandalic monitor.

The area where the PC will be installed has security locks, general switch and is easily detachable, leaving enough space for the installation and access to a minitower PC.

On the side of the monitor are two speakers and the kiosk has 2 independent systems of ventilation, one for the monitor and other for the PC.

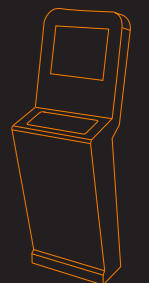
The Thin Model is normally equipped with a Atom CPU with a 160 GB hard drive, 1 Gb Ram Memory, a 128Mb graphic card and a 10/100 mb ethernet, Windows 7 Starter.

### Technical Specifications Thin Model

Dimensions: H1500 x W500 x D90,200  
Weight: aprox. 55 Kg.

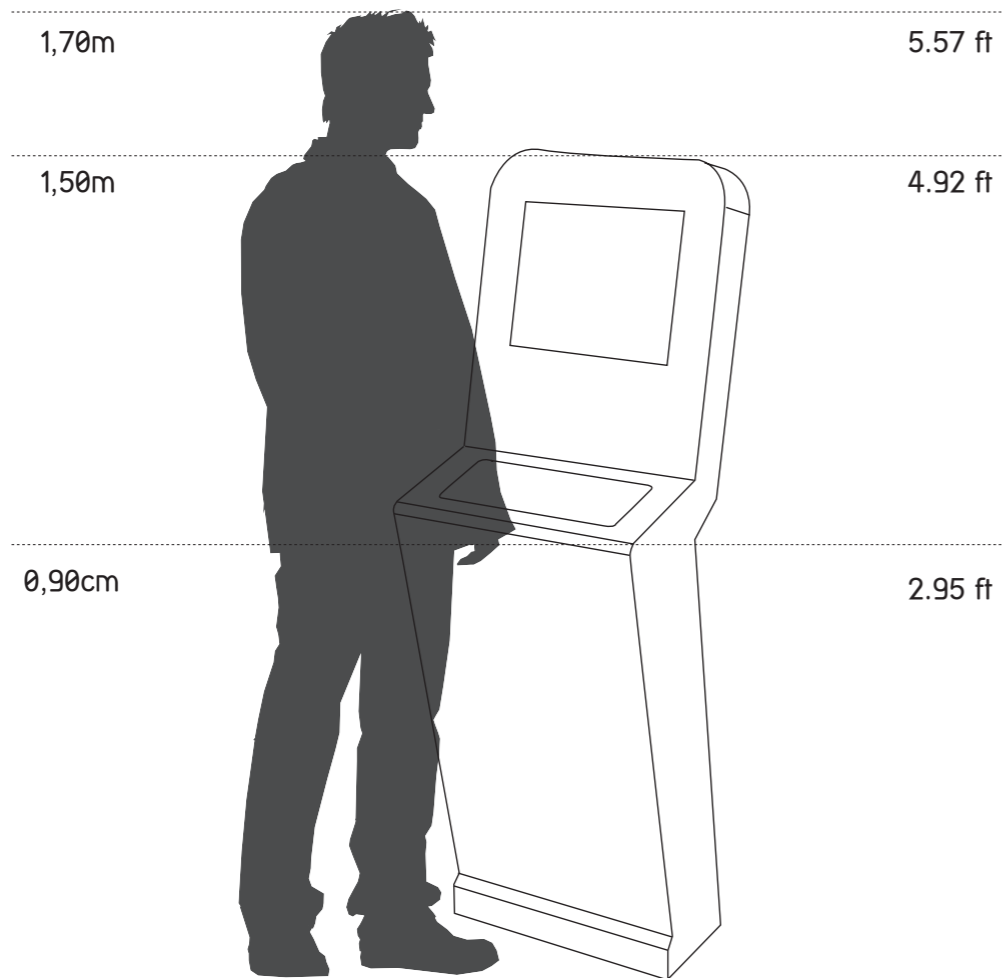


PATENTED - DESIGN MODEL N°. 1629



# Thin

Distance comparison and main features



## Type

Indoor

## Materials

Painted Steel

Stainless Steel

MDF

## Options

Webcam

Ticket Printer

Card Reader

Antivandalic Keyboard

Bar Code Scanner

Handset Phone

Coin Validator

Bill Validator

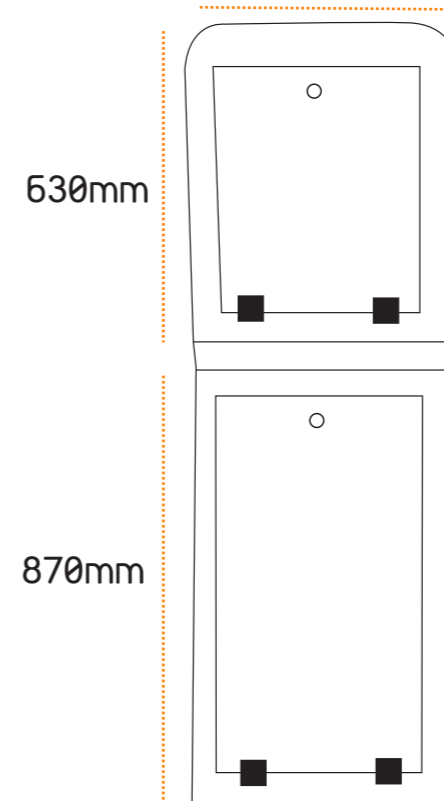
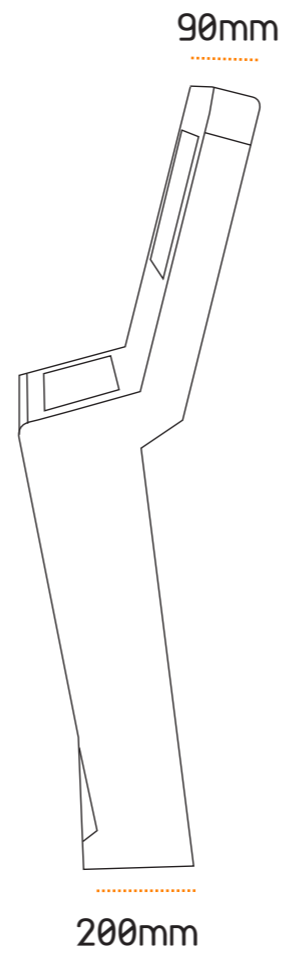
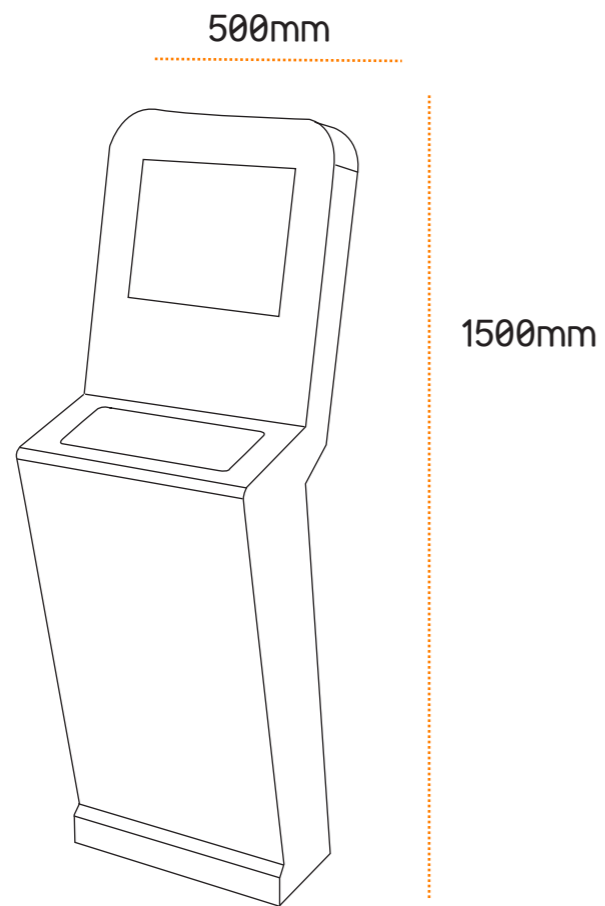
A4 Printer

Ykiosk Software



# Thin

Kiosk measures



# Thin

Technical data

---

## Dimensions:

- 17" Display (resolution: 1280 x 1024 Pixel)
- H1500 W500 D(90,200)

## Weight:

55 kg

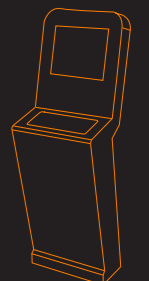
## Configuration:

- Design and simplicity
- Stainless steel AISI304 or painted steel (RAL Colors)
- Steel plate of 1,5mm to 2,5mm
- 17" SXGA touchscreen display (SAW)
- Integrated speakers

## Optional:

- 19" to 24" Displays
- Atom or Dual Core PC computer
- Microsoft Windows 7 Professional
- Ykiosk software package
- Antivandalic keyboard
- Touchscreen (Infrared, optical, capacitive)
- Wireless networking - WLAN
- Bluetooth functionality
- Webcam

• Other components can be integrated changing kiosk dimensions: ticket printer, coin validator, bill validator, card readers, antivandalic keyboard, proximity sensor, etc.



# oemKIOSKS | Your white label kiosk company

This document is provided only for information purposes. The presented information is subject to change without prior notice, given the constant evolution of content.  
THE PARTTEAM GROUP is not responsible for any errors or omissions in this document, based on the information it contains, as a result of its publication.



oemKIOSKS | Partteam Group Portugal | Rua Nova da Nespereira, Pavilhão 10 | 4770 -287 Lagoa - Vila Nova de Famalicão  
tel: +351 252 378 589 | +351 252 327 185 | fax: + 351 252 378 591 | Portugal  
[www.oemkiosks.com](http://www.oemkiosks.com) | [oem@oemkiosks.com](mailto:oem@oemkiosks.com)