

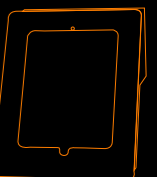
Wall Pad Kiosk

Datasheet

Welcome to oemKIOSKS

oem**KIOSKS**TM
Your white label kiosks company

Touch...The Sky



Wall Pad

Information Point or Queue Management Kiosk

The Wall Pad model was developed for indoor use and to be integrated into an IPAD or any other TABLET PC. Could be used as a point of information for the institution / company where it is installed, Internet point or with any application that can be developed for the iPad.

It can also be used to service institutions to the public or private institutions to attend the clients where, somehow, a management service / waiting queues is needed.

Through a glossy widescreen Multi-Touch 9.7-inch you can easily see the information you are looking for.

All iPad applications were designed to take advantage of Multi-Touch display and other advanced capabilities of IPAD.

The glass is scratch proof and even when exposed to a massive use, will not damage the multi-touch screen.

The Wall Pad can be equipped with an A4 Chip Apple 1 GHZ, high performance and low power Wi-Fi (802.11 a / b / g / n), Bluetooth 2.1 + EDR, etc..

All these models can be integrated with the IPAD or other tablets with different sizes of display (7", 10", etc.).

Technical Specifications Wall Pad Kiosk

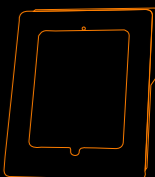
Dimensions: H250 x W235 x D80
Weight: aprox. 7 Kg.



vertical model

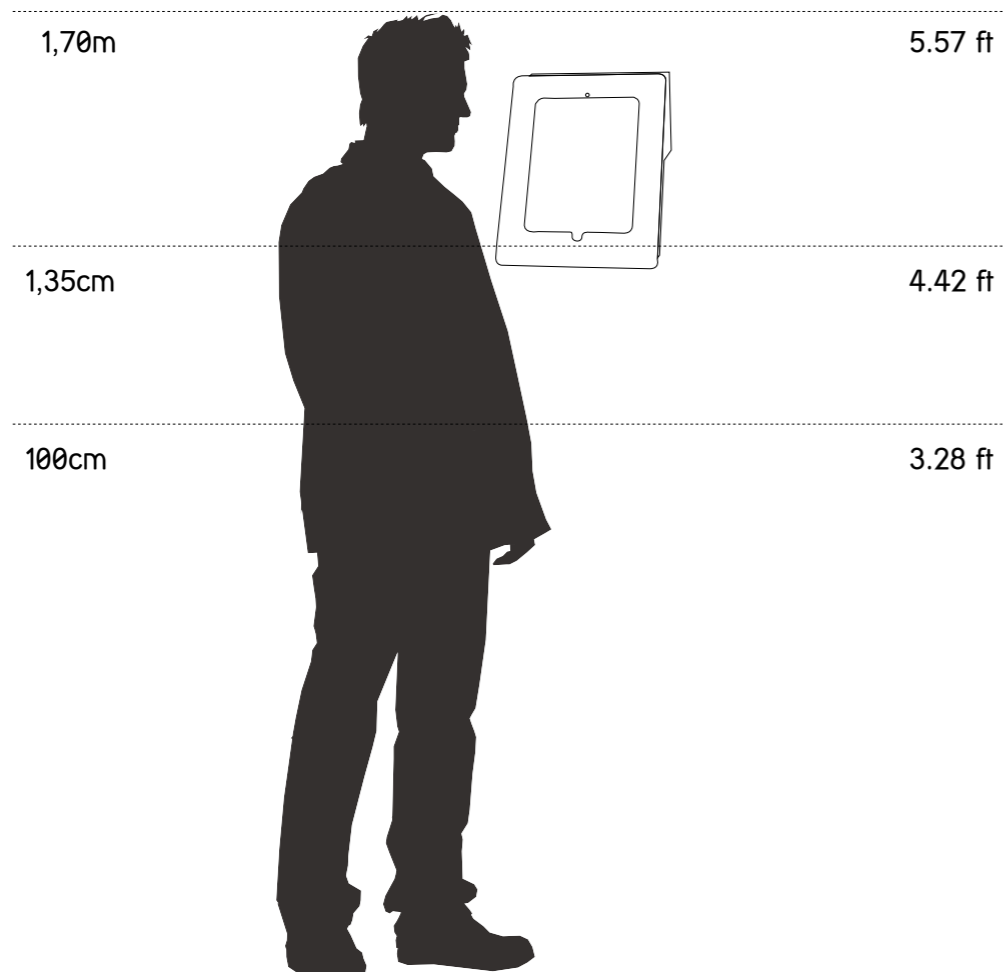


horizontal model



Wall Pad

Distance comparison and main features



Type

Indoor

Materials

Painted Steel

Stainless Steel

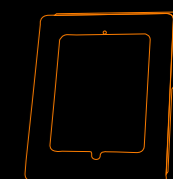
MDF

Options

9,7" Touchscreen (other dimensions available)

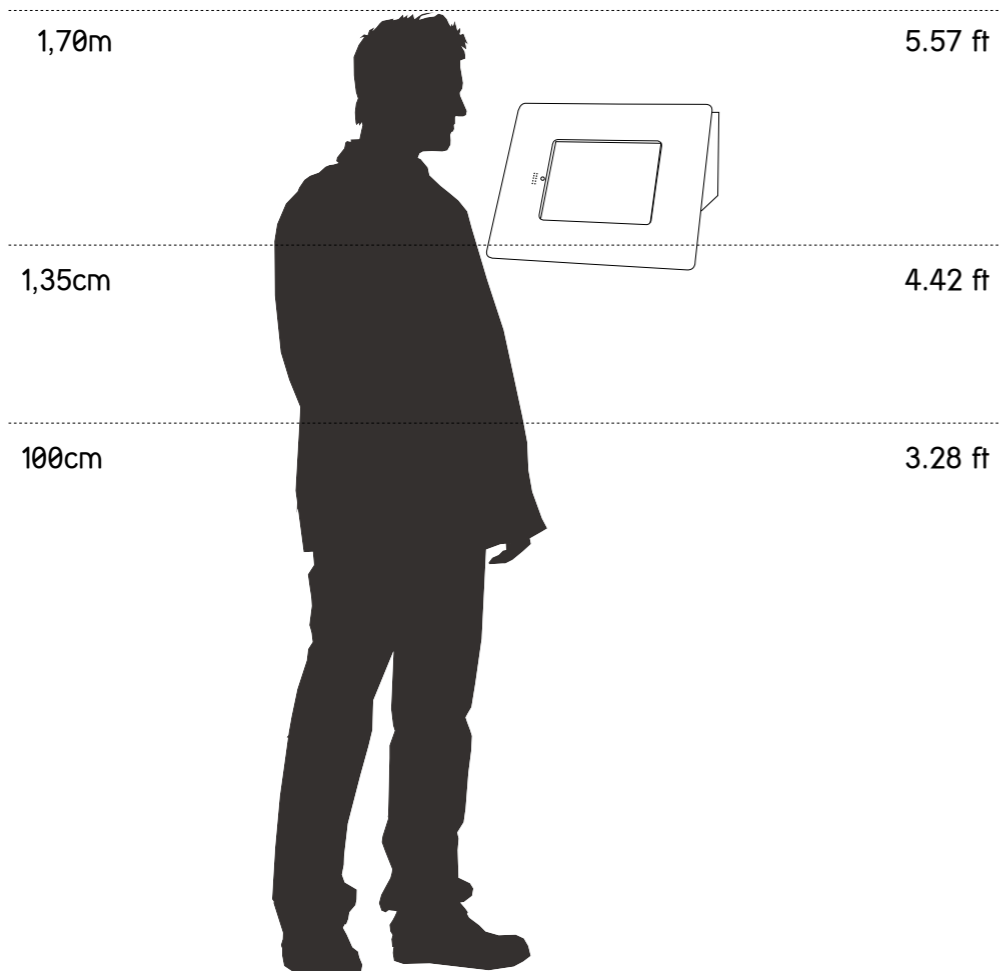
Distance comparison and main features

Wall Pad



Wall Pad

Distance comparison and main features



Type

Indoor

Materials

Painted Steel

Stainless Steel

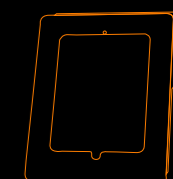
MDF

Options

9,7" Touchscreen (other dimensions available)

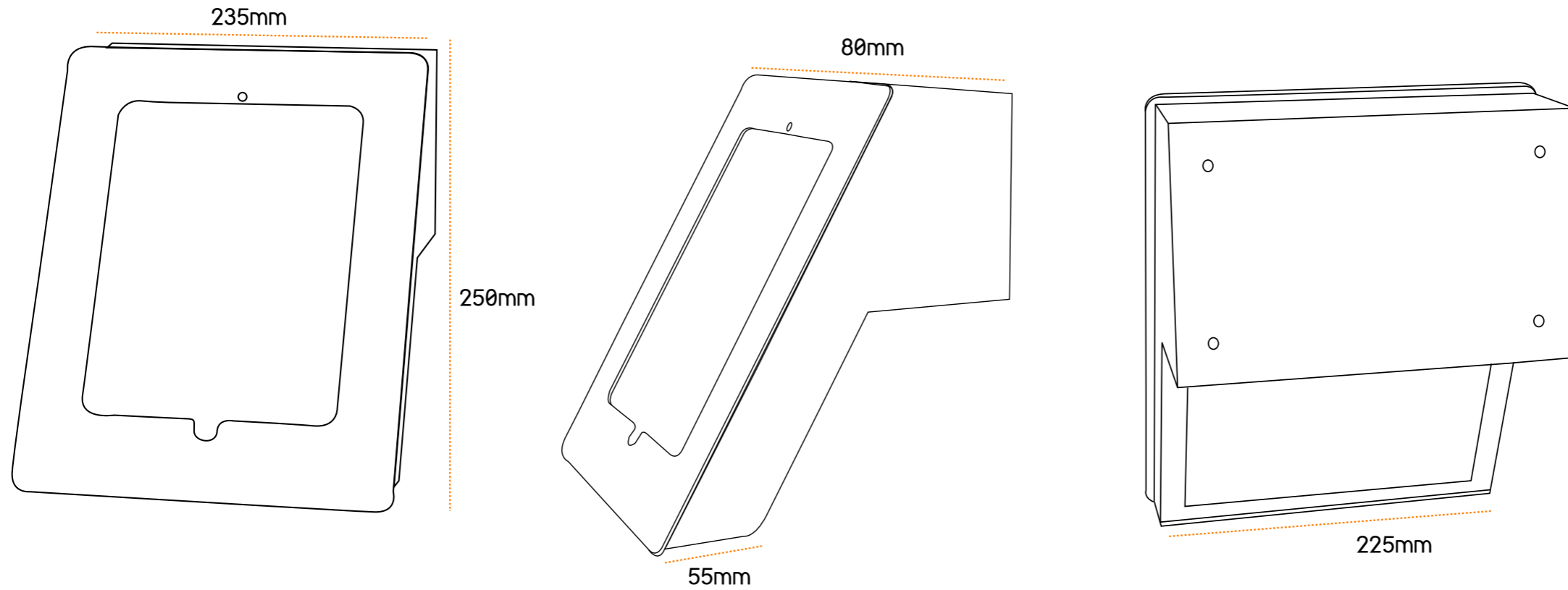
Distance comparison and main features

Wall Pad

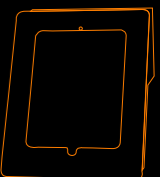


Wall Pad

Kiosk measures

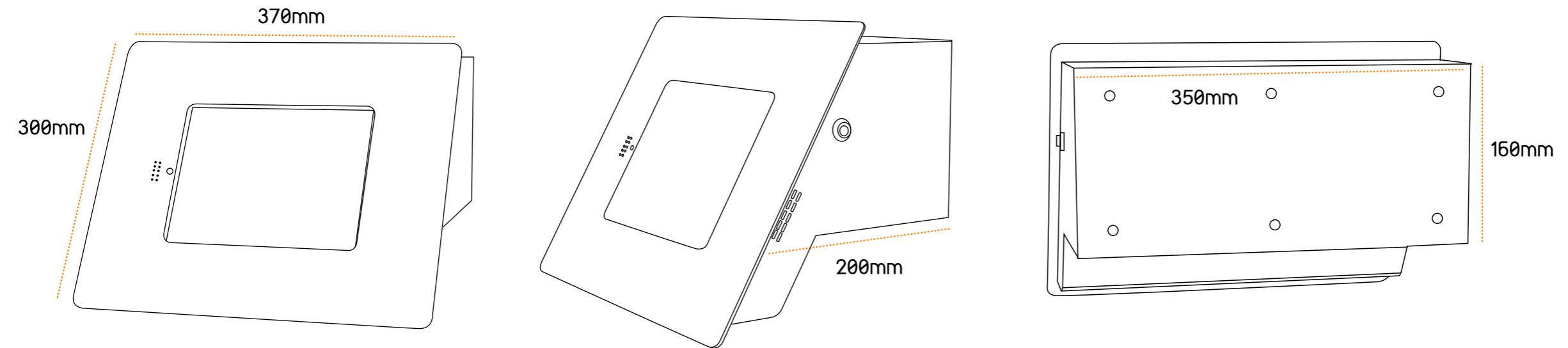


The measures can have minor changes depending on the used components

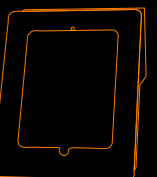


Wall Pad

Kiosk measures



The measures can have minor changes depending on the used components



Wall Pad

Technical data

Dimensions:

- H250 W235 D80mm - Vertical Model
- H300 W370 D200mm - Horizontal Model

Weight:

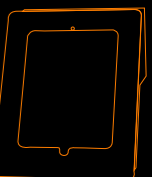
7 kg

Configuration:

- Information Point or Queue Management Kiosk
- Stainless steel AISI304
- Ticket Printer
- Integration with queue management software
- Glossy widescreen Multi-Touch wit 9.7-inch (diagonal), LED-backlit and IPS technology.
- Can be integrated with the IPAD or other tablets with different sizes of display (7", 10", etc.).

Computer

- IPAD
 - A4 Apple Chip 1 GHZ, high performance and low power consumption.
 - H.264 video up to 720p, 30 frames per second, Main Profile Level 3.1 with AAC-LC up to 160 Kbps.



oemKIOSKS | Your white label kiosk company

This document is provided only for information purposes. The presented information is subject to change without prior notice, given the constant evolution of content.
THE PARTTEAM GROUP is not responsible for any errors or omissions in this document, based on the information it contains, as a result of its publication.



oemKIOSKS | Partteam Group Portugal | Rua Nova da Nespereira, Pavilhão 10 | 4770 -287 Lagoa - Vila Nova de Famalicão
tel: +351 252 378 589 | +351 252 327 185 | fax: + 351 252 378 591 | Portugal
www.oemkiosks.com | oem@oemkiosks.com