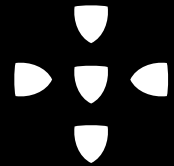


**ZYTAB**

Touch...the sky!



**OEMKIOSKS** 



Made in Europe

**Multimedia Kiosks and Digital Mupis are developed and produced in Portugal.**

The success of our company in the international market shows us that we have developed and produce excellent products and we should therefore be proud and confident in the future.



## Interactive Table

This table was developed to support the new technologies available in the market, like displays with SAW technology, Infrared or Procap with the possibility of the top surface being completely in glass.

We are talking about a great kiosk/interactive table with interactive single or multi-touch displays with dimensions from 22" to 65" that act as a virtual table.

You can use this equipment for several applications like multimedia (video, images, games, etc.), Interactive directories, interactive virtual calls, music or videos jukebox, applications for museums, etc...

Regarding security the kiosk has locks or systems that allow opening the doors only for professionals responsible.

The electrical panel, installed inside the kiosk, includes a switch, differential and 3 sockets.

The interactive table Zytab can be equipped with computers with larger and smaller "performances" (CPU) with a 320 GB hard drive, 4 Gb Ram Memory, a 128Mb graphic card and a 10/100 mb ethernet, and Windows 10 Starter.



▸ The dimensions and specifications are given in graphical representation and may not correspond to the reality of the equipment. The dimensions shown are approximate and represent the equipment for a certain size display. The final dimension may vary depending on the display model and other components used. The client must request technical drawing for final validation (measures and specifications).

## Perfect Lines

All details were thought to detail in terms of design. The clean lines give it an elegance unprecedented in multimedia kiosks sector.

The metal frame was also designed to be as lean as possible so that what matters is highlighted: the display.

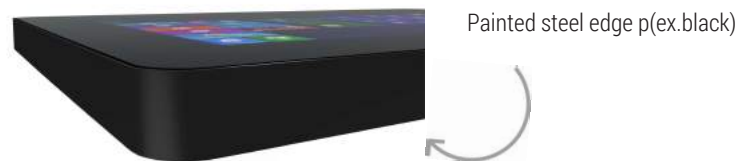
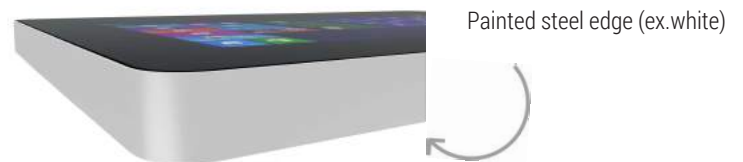
The black edge of the glass is designed to enable use of display with larger frames, so that they are completely hidden to the user.

## Interactive Table

2 mm  
Precision

22 mm  
Response

up to 40  
Touches



▮ The dimensions and specifications are given in graphical representation and may not correspond to the reality of the equipment. The dimensions shown are approximate and represent the equipment for a certain size display. The final dimension may vary depending display model and other components used. The client must request technical drawing for final validation (measures and specifications).



## Zytab Wall

### Interactivity "in Wall"

The capability of the model enables Zytab wall be used in the presentation of multimedia content as well as an interactive projection and simultaneously.

## Zytab Oblique

### Full Complicity

The option model Zytab inclined, allows greater complicity between the user and the multimedia kiosk.

The degree of tilt can be set by the customer during the purchasing this equipment.



▮ The dimensions and specifications are given in graphical representation and may not correspond to the reality of the equipment. The dimensions shown are approximate and represent the equipment for ascertain size display. The final dimension may vary depending display model and other components used. The client must request technical drawing for final validation (measures and specifications).



## Zytab Living, perfect finish !

Simple and clean lines gives an incredibly modern and slim aspect to the kiosk. This combination with the compact and solid structure, transmit an image of simplicity, style and robustness.

Zytab model is available in two versions. The Simple version (center foot) and Living version (shown in the picture above.).

# Zytab

Minimalist Design



## Incredibly Modern, High Quality !

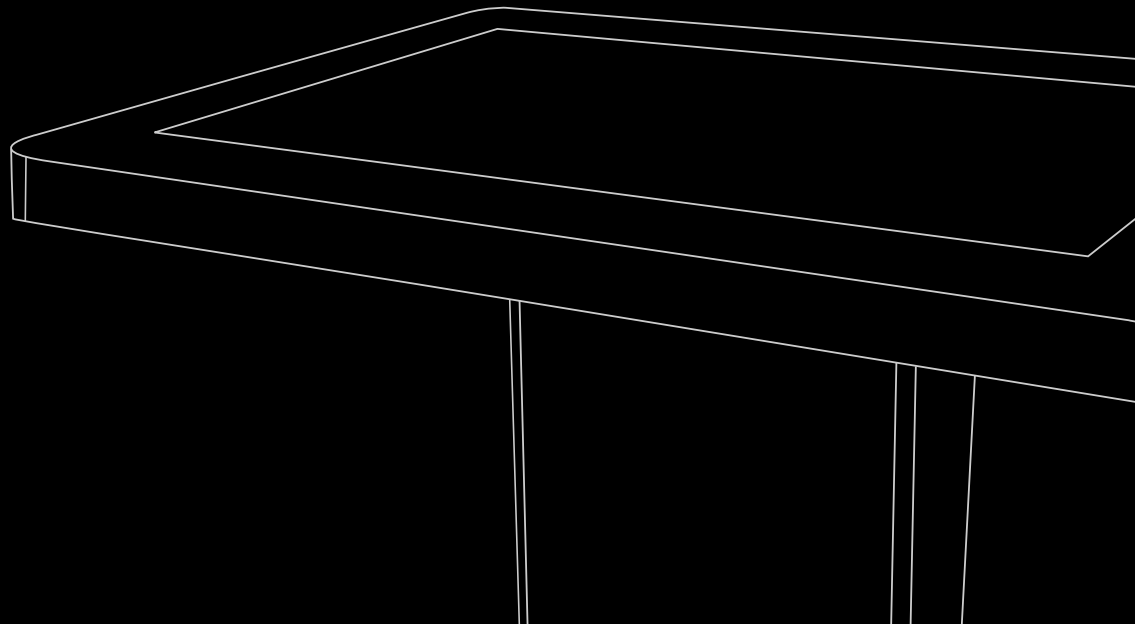
All details were thought to detail in terms of design.  
The clean lines give it an elegance unprecedented in  
multimedia kiosks sector.

Zytab Living

▮ The dimensions and specifications are given in graphical representation and may not correspond to the reality of the equipment. The dimensions shown are approximate and represent the equipment for a certain size display.  
The final dimension may vary depending on the display model and other components used. The client must request a technical drawing for final validation (measures and specifications).

---

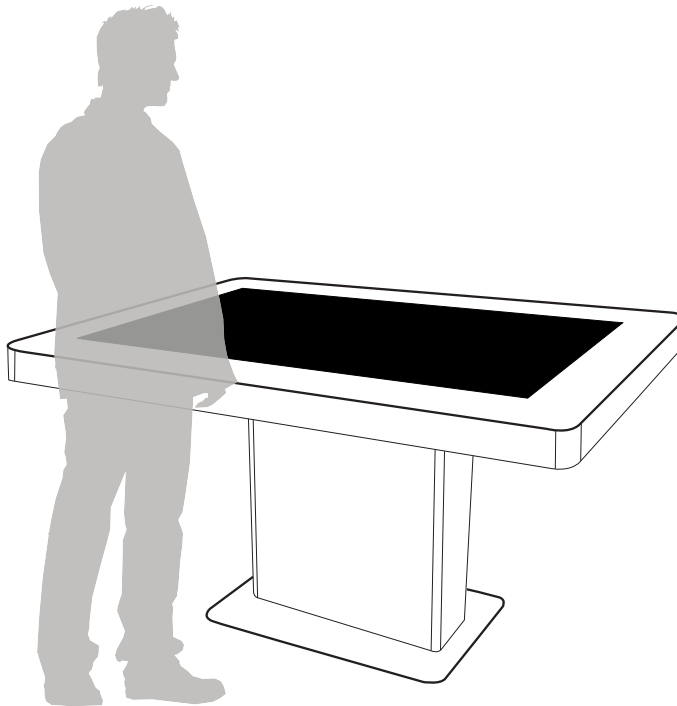
# Technical Specifications





# Zytab

Distance Comparison and Main Features



## General Characteristics

### Type



Indoor



outdoor

### Materials



Painted Steel



Stainless Steel (AISI 304/316)

### Options



22" to 103" Displays



Software Kiosk



Webcam

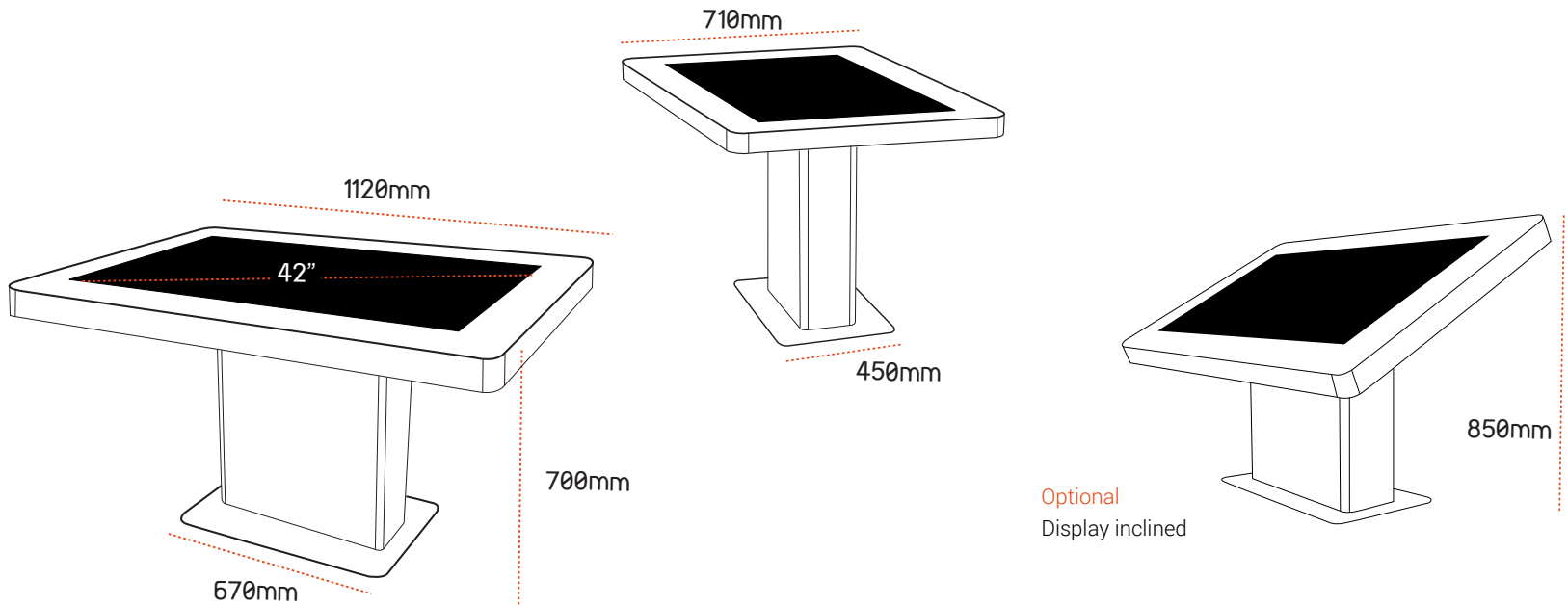
(Other options available upon request)

▮ The dimensions and specifications are given in graphical representation and may not correspond to the reality of the equipment. The dimensions shown are approximate and represent the equipment for a certain size display. The final dimension may vary depending on the display model and other components used. The client must request a technical drawing for final validation (measures and specifications).

# Zytab

Kiosk Measurements

## Technical Drawing

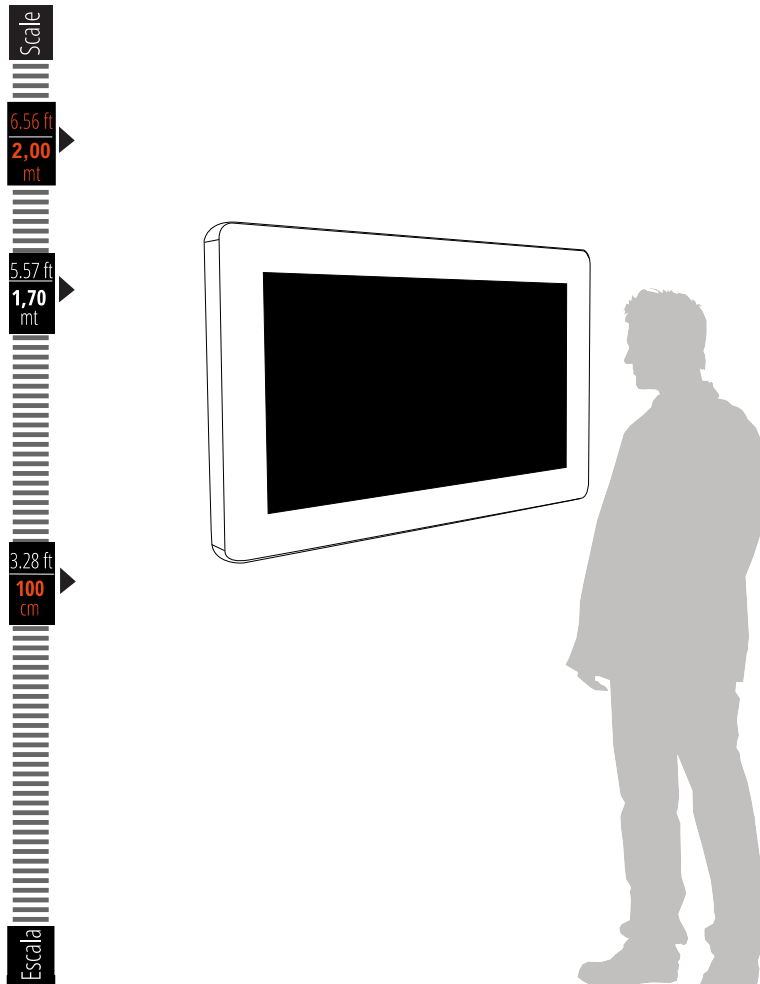


▮ The dimensions and specifications are given in graphical representation and may not correspond to the reality of the equipment. The dimensions shown are approximate and represent the equipment for a certain size display. The final dimension may vary depending on the display model and other components used. The client must request a technical drawing for final validation (measures and specifications).

# Zytab

Distance Comparison and Main Features

## Zytab Wall



### General Characteristics

#### Type

- Indoor
- outdoor

#### Materials

- Painted Steel
- Stainless Steel (AISI 304/316)

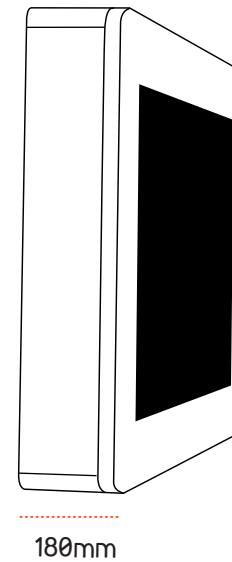
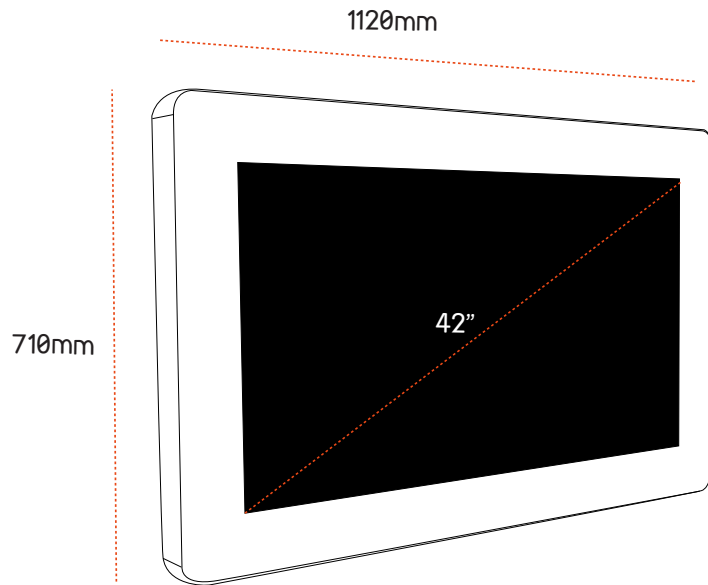
#### Options

- 22" to 103" Displays
- Software Ykiosk
- Webcam

(Other options available upon request)

▮ The dimensions and specifications are given in graphical representation and may not correspond to the reality of the equipment. The dimensions shown are approximate and represent the equipment for a certain size display. The final dimension may vary depending on the display model and other components used. The client must request a technical drawing for final validation (measures and specifications).

## Technical Drawing Zytab Wall



▮ The dimensions and specifications are given in graphical representation and may not correspond to the reality of the equipment. The dimensions shown are approximate and represent the equipment for a certain size display. The final dimension may vary depending on the display model and other components used. The client must request a technical drawing for final validation (measures and specifications).

## Configuration



**H 700 W 1120 D 710 mm**  
(for 42" display)



**Display 42"**  
(resolution 1920 x 1080)



**80kg**  
(for 42" display)



Steel plate of 1,5mm/2mm



Integrated speakers



Stainless steel AISI304/316 or  
painted steel (RAL Colors)

## OPTIONAL



17" to 108" Displays



Touch screen  
(SAW, Infrared, ProCap)



Available in any RAL color



Atom, Dual Core, Core i3 or i5 PC computer



Wireless - WLAN



Windows 7 or 8, Linux, Mac \*



Bluetooth



Ykiosk software (secure shell & browser)



Webcam

Other components can be integrated changing kiosk dimensions: ticket printer, coin validator, bill validator, card readers, antivandalic keyboard, proximity sensor, etc.

\* depending on type of touch technology used

This document is provided only for information purposes. The presented information is subject to change without prior notice, given the constant evolution of content. PARTTEAM GROUP is not responsible for any errors or omissions in this document, based on the information it contains, as a result of its publication.

# Multimedia **kiosks**

Touch... the sky



oemKIOSKS | Partteam Group Portugal | Rua Nova da Nespereira, Pavilhão 10 | 4770 -287 Lagoa - Vila Nova de Famalicão  
tel: +351 252 378 589 | +351 252 327 185 | fax: + 351 252 378 591 | Portugal  
[www.oemkiosks.com](http://www.oemkiosks.com) | [oem@oemkiosks.com](mailto:oem@oemkiosks.com)